

Canton, Ohio

**CANTON CITY
ENGINEERING DEPARTMENT**

**Construction
Contract and Specifications**

for

Streetscape Electrical Construction

GP 1205

CONTENTS

	Page
Legal Notice	2
Notice to Contractor	5
Instructions to Bidders	7
General Specifications	8
Completion Date and Liquidated Damages	19
Detailed Specifications	23
Supplement Specifications	27
Special Provisions	29
Federal Government Participation	29
Additional Requirements and/or Conditions	46
Notice of Withdrawal	47

APPENDICES

A. Prevailing Wages	A-1
B. Bid Forms	
Bid Form #1 Authority of Bid Signatory	B-1
Bid Form #2 Insert Bid Guaranty Here	B-3
Bid Form #3 Bidder Information	B-5
Bid Form #4 Project References	B-9
Bid Form #5 Insurance Affidavit	B-11
Bid Form #6 Bidder's Affidavit: Non-collusion Statement	B-15
Bid Form #7 Bidder's Affidavit: Foreign Corporation	B-17
Bid Form #8 Listing of Sub-contractors	B-19
Bid Form #9 Bidder and Contractor Employer Practices Report	B-21
Bid Form #10 Not Applicable	
Bid Form #11 Minority Employment Practices	B-25
EEO Policy Statement	B-27
Letter of Assurance for MBE	B-29
Bid Form #12 Questionnaire	B-31
Bid Form #13 Outstanding Unresolved Findings	B-37
Bid Form #14 HLS 0038	B-39
Weekly Payroll Submission Form	B-47
C. Project Utility Note	C-1
D. Change Order Policy	D-1
E. Claims Management Policy	E-1
F. Project Labor Agreement	F-1
G. Cost Proposal	G-1

LEGAL NOTICE

Ordinance 2-2014

The Director of Public Service of the City of Canton, Ohio will accept sealed bids until 2:00PM, Local Time on **WEDNESDAY, March 12, 2014**, for the purpose of securing bids for,

GP1205 Streetscape Electrical Construction

Submit bid according to the specifications and bid sheet(s) on file and available on-line at <http://cantonohio.gov/engineering/?pg=480>. The City will open bids in the Sixth Floor Conference Room of Canton City Hall.

Submit all bids to the City of Canton Contract Office, 218 Cleveland Avenue SW, Purchasing Department/ Sixth Floor, Canton, Ohio 44702 before 2:00 p.m. on the day of the bid opening. **THE CITY WILL DISQUALIFY ANY BID NOT RECEIVED IN THE CONTRACT OFFICE ON OR BEFORE 2:00 PM ON WEDNESDAY, March 12, 2014.**

Each bidder must submit evidence of its experience on projects of similar size and complexity. The bidder must use the proposal blanks provided in the bid package for submitting bids. The City will not accept any other submittals.

Each bid must contain the name of every person or company interested in the same. A certified check, cashier's check, or surety bond, in accordance with Section 153.54 of the Ohio Revised Code, must accompany the bid. The bond or check must be drawn on a solvent bank or bonding company licensed in the State of Ohio to provide said surety and satisfactory to the Director of Public Service as a guarantee that if the bid is accepted, a contract will be entered into and its performance properly secured.

Said certified check or cashier's check shall be for ten percent (10%) of the total amount bid. Where a bid bond is used, it shall be in an amount of one hundred percent (100%) of the total amount of the bid. The City of Canton will only accept original checks and bid bonds. Therefore, if any company and/or bidder(s) submit a copy (including faxed copies) of his/her security, the City will disqualify the bid. The Director of Public Service reserves the right to waive any technical defects in any bid bond submitted so long as the bond is in substantial compliance with State Law.

The Party awarded contract should be prepared to furnish surety bond for faithful performance. All bids must be firm bids. The City will not consider bids containing an escalator clause.

Bidders must obtain specifications, and proposal blanks to be eligible as a responsive bidder. Potential bidders may obtain specifications and proposal blanks at the website, <http://cantonohio.gov/engineering/?pg=507>. It is the bidders' responsibility to secure the correct documents needed to bid.

All contractors and subcontractors involved with the project will, to the extent practicable use Ohio products, materials, services, and labor in the implementation of their project.

Bidders must comply with prevailing wage rates on Heavy and Highway construction projects for the State of Ohio as included in the contract documents. A PLA will **not** be required for this project. The estimated construction cost is **\$39,107.41** for this project based upon the quantities shown on the bid sheet..

It is the City's policy that for IRS purposes, all companies must submit their Federal I.D. number.

The Director of Public Service reserves the right to waive any technical defects in any bid bond submitted so long as the bond is in substantial compliance with State Law. Any bidder may withdraw his bid, by written request, at any time prior to the hour set for the bid opening. Please be advised, the city of canton may impose a \$500.00 penalty to any bidder that withdraws his bid after the bid opening and prior to a contract award(s).

Should any bid be rejected, such check or bond will be returned to the bidder or bidders within ten (10) days after the contract is awarded, and should any bid be accepted, such check or bond will be returned upon execution and securing of contract. Bidders shall be prepared to furnish any information requested regarding return of bond or check.

The Board of Control reserves the right to reject any or all bids and to accept the bid(s) deemed most beneficial to the City of Canton. All companies must submit their Federal ID Number.

Authorization is by order of William Bartos, Canton City Service Director.
Published in the Canton Repository: February 25 and March 4, 2014

NOTICE TO CONTRACTOR

Project duration is one year after the Notice to Proceed. Contractor is required to hold the unit cost prices for the duration of the contract.

The City will award this contract based upon the unit prices submitted. The City intends to initiate the project by completing the quantities shown in the bid sheet. Furthermore, the City may wish to purchase additional items at these unit prices throughout the year at different streetscape locations.

Each bidder must submit an “affirmative action plan” and/or “EEO Policy.” Bidder must read all EEO and MBE requirements. Please submit a request for waiver on company letterhead if you cannot meet the requirement. Enclose the company EEO policy. An EEO policy statement form is included if you do not have a formal policy.

The Director of Public Service reserves the right to waive/accept any technical defects in the submission of documentation for this bid.

Notice: The, “Instruction to Bidders”, has changed. You will be required to submit the bid forms only (Appendix B) and the support documentation for the bid forms. See, “Instruction to Bidders” for details.

PLEASE ACKNOWLEDGE THAT YOU HAVE READ THE ABOVE REQUIREMENTS BY SIGNING BELOW.

DATE

SIGNATURE

Instruction to Bidders

(1)-(20) The bidder must review the complete bid package as advertised. You must submit the Appendix B bid forms for the bid. **ONLY THE BID FORMS, THE SUPPORT DOCUMENTS AND ANY ADDENDUM ARE REQUIRED. DO NOT SUBMIT THE ENTIRE BID PACKAGE.** Use blue ink for all signatures.

Bidders must examine, before submitting their bids, the specifications and form of contract. There may be changes in the specifications from those previously used; the City presumes that a bidder has read and fully understands each clause embodied in this contract. Any information derived from the Engineer's office will not relieve the Contractor from any risks or from fulfilling all of the terms of this contract.

It is the bidders' responsibility to revisit this website for any updates or changes until date and time of the bid opening. Please, send email to steve.henderson@cantonohio.gov if you intend to bid the project. I will send any updates to you via email. However, it does not release you from checking the website for updates.

All written addenda issued by the Engineer will become part of the Contract Documents. The addenda are binding for all bidders, whether the bidder has received or not received it (the City will post the addenda on the website). The City will not consider any oral or telephonic modifications of the Contract Documents.

The owner reserves the right to reject bids or waive any informality or irregularity in any bid received. Failure to complete/submit all documentation may result in the bidder being determined as non-responsive. The Director shall make the final decision in this matter.

The City will permit the bidder to include additional or supplemental attachments. The bid must be sealed, and addressed to the Service Director of the City of Canton, Contract Office – 6th Floor, 218 Cleveland Avenue S.W., P.O. Box 24218, Canton, Ohio 44701-4218, Attn: Randall Dublikar and write on the envelope, "Proposal for the GP1205 Streetscape Electrical Construction", and must be deposited with all papers bound.

Any bidder may withdraw the bid(s), by written request, at any time prior to the hour set for the bid opening. If there is no withdrawal of the bid(s), in accordance with the above procedure, the City reserves the right to enforce said bid price(s) and/or contract.

The successful bidder, to whom the City may award the contract, shall be required to execute the contract, and furnish a surety bond satisfactory to the Service Director, within ten (10) days from the date of service of notice to that effect. In case of failure to do so, he will be considered as having abandoned it, and the deposit accompanying the proposal shall thereupon be forfeited to the City of Canton, and the work may be re-advertised or awarded to the next higher bidder, as the Service Director may determine. Such bond shall be of an approved guaranty company, satisfactory to the Service Director in the sum of the total price bid for the completed work.

The Service Director reserves the right to reject any bids. Furthermore, the Service Director has the right to waive any informality or irregularity of any bid received.

GENERAL SPECIFICATIONS

(The headings of the various sections are intended for convenience in reference and not to be considered a part of the specifications.)

(21) **Definitions:** The term “City” wherever used in these specifications shall mean the City of Canton, acting through its Service Director, or his properly authorized agents, such agents acting severally within the scope of the particular duties entrusted to them.

The term “Director” wherever used shall mean the Service Director of the City of Canton, duly appointed and holding office at the same time the contract was executed or during the fulfillment thereof.

The term “Engineer” whenever used, shall mean the City Engineer of said City or his properly authorized agents to the extent of the powers invested in them.

The term “Contractor” wherever used, shall mean the party of the second part entering into contract with the City for the performance of the work herein specified, or his properly authorized agents.

In all cases when the term “days” as used in these specifications shall be held to mean calendar days, unless otherwise noted.

The term “Work” wherever used, shall mean the furnishing of all labor, tools, machinery and the furnishing of all materials, except as herein otherwise specified, necessary to performing and completing of all the work herein specified. The methods and appliances used therefor must be such as will produce a satisfactory quality of work and ensure safety to the workmen, the public and to property.

Wherever, in the specifications, or upon the drawings and plans, the words directed, required, permitted, ordered, designated, prescribed, or words of like import are used, it shall be understood that the direction, requirement, permission, order, designation or prescription of the City is understood, and similarly, the words approved, acceptable, satisfactory to, refer to the City unless otherwise expressly so stated.

(22) **Decisions:** All the work under this contract shall be done to the satisfaction of the City, which in all cases shall determine the amount, quality, acceptability, and fitness of the several kinds of work and materials which are to be paid for hereunder, and shall decide all questions which may arise as to the fulfillment of this contract on the part of the Contractor, and the City’s determination and decision thereon shall be final and conclusive; and the City’s determination and decision in case of any question that may arise, shall be a condition precedent to the right of the Contractor to receive any money hereunder.

(23) **Orders to the Contractor and Failure to Execute:** The address given in the bid or proposal upon which this contract is founded is hereby designated as the place where all notices, letters and other communications to the Contractor shall be mailed or delivered. Such address may be changed at any time by a written notice from the Contractor and delivered to the City.

The Contractor must have on the work at all times, a foreman, superintendent or other competent representative, to whom orders and instructions may be given. Such orders and instructions shall have the same force and effect as if given directly to the Contractor.

Whenever instructions or orders which in the opinion of the Engineer require prompt or immediate attention, are neglected or ignored by the Contractor or his Superintendent, the Engineer shall have the power to place necessary men, machinery and materials on the work and charge the entire cost, including overhead expenses, to the Contractor, who shall either pay the entire cost and expenses into the City Treasury, or the amount thereof shall be deducted from money due the Contractor under the contract.

(24) **Subletting or assigning contract:** The Contractor shall give his personal attention to the faithful prosecution of the work, shall retain the same under his personal control and shall not assign by power of attorney or otherwise, nor sublet the work or any part thereof, without the previous written consent of the City, and shall not, either legally or equitably assign any of the money payable under this agreement, or his claim hereto except by and with the consent of the City.

Assigning or subletting of the whole or any portion of this contract shall not operate to release the Contractor or his bondsmen or surety hereunder from the contract obligations.

(25) **Subsidiary Contracts:** The Engineer may, when in his opinion, it becomes necessary, make alterations or modifications of the plans and specifications, or order additional materials and work, subject to the approval of the Director; and the Contractor shall be obliged to accept such alterations, modifications and additional work and materials not included in this contract. The price to be paid for the work under such altered or modified contract shall be agreed upon in writing, in a subsidiary contract for such portion of, or additional improvement and signed by the Director and Contractor, before such work is done; such additional work, alteration or modification shall be considered and treated as though originally contracted for and shall be subject to all the terms, conditions and provisions of the original contract, except that a material increase in the amount of work will be considered as a proper claim by the Contractor for an extension of the contract time for completion, by an amount to be determined by the City.

And it is expressly agreed and understood that such alterations, additions or modifications or omissions shall not, in any way, violate, or annul the original contract and the Contractor hereby agrees not to claim or bring suit for any damages, whether for loss of profits or otherwise, on account of such alterations, additions, modifications or omissions.

(26) **Inspection:** No material of any kind shall be used in the work until it has been inspected and accepted by the City. The Contractor must furnish all labor necessary in handling such material for inspection. All materials rejected must be immediately removed from the vicinity of the work. Materials or workmanship found at any time to be defective shall be immediately remedied by the Contractor, regardless of previous inspection.

The Engineer, his assistants, inspectors and agents, together with other parties who may enter into contracts with the City for doing work within the territory covered by this contract, shall, for all purposes which may be required by their contracts, have access to the work and the premises used by the Contractor, and the Contractor shall provide safe and proper facilities therefor.

The Engineer, his assistants and agents shall at all times have immediate access to all places of manufacture where materials are being made for use under this contract, and shall have full facilities for inspecting the same.

No work shall be done except in the presence of the Engineer, his assistants, agents or inspectors. It shall be the duty of such agents or inspectors to see that all materials used and all work done shall be strictly in accordance with these specifications, but such agents and inspectors shall have no authority whatsoever to order any change in materials, manner of doing the work or quantity of work done.

The field inspection of the work, testing of materials, giving lines and grades, preparation of general and detail drawings, except as otherwise specified, will be done by the Engineer. The inspection and supervision by the Engineer is intended to aid the Contractor in supplying all materials and in doing all work in accordance with the drawings and specifications, but such inspection shall not operate to release him from any of his contract obligations.

(27) **Time for doing work:** The City is instructing the Contractor to base the project schedule upon a 5-day workweek, Monday through Friday from 8:00 am to 4:30 pm except on City recognized holidays; this is the "standard schedule". The Engineer may direct the Contractor to work outside of the standard schedule to save life or property or in case of emergencies. If the Contractor wishes to work outside of the standard schedule, the Contractor must submit this request in writing to the Engineer. The Engineer will review nonstandard scheduling and approve/deny the request. The Engineer will base his approval/denial upon benefit to the project, benefit to the City, and necessity to facilitate Contractor operations. Contractor must make special provisions for project inspection for nonstandard schedules and will be required to pay for all costs associated with inspection for approved nonstandard schedules. This includes both City personnel as well as consultants representing the City. The Engineer shall determine method of payment when the need arises. (See also Section 60).

(28) **Working Season:** Work done under these specifications, such as grading of streets and placing foundation for paving, curb setting, brick or other roadway paving, sidewalk laying, shall cease from the first day of December until the first day of April of the following year, unless otherwise directed by the Engineer. (See also Section 60). Furthermore, the City will not allow the Contractor to work in the Hall of Fame parade route areas nor store materials in the

sidewalk areas from July 18 through August 4, 2014 unless authorized in writing by the City Engineer.

(29) **Lines and grades:** All work done under this contract shall be done in accordance with the lines, grades and instructions as given by the City and as directed in the plans.

(30) **Order of procedure of work:** The Contractor shall proceed with the work at such points as the Engineer may direct, and not more than two adjoining blocks or squares in length, shall be torn up at the same time, unless otherwise directed by the Engineer; nor shall any block be closed to traffic, except where the Contractor is actually working.

Whenever, in the opinion of the City, it is necessary that certain portions of the work be done immediately, the Contractor upon written order from the Engineer, shall proceed with such work without delay. Should he fail to so proceed, the City may do, or cause to be done, such work, and the cost of the same will be deducted from any money due, or to become due the Contractor under this contract.

(31) **Incompetent workmen:** Any employee of or persons connected with the Contractor who shall use profane or abusive language to the inspector, or other employees of the City, or otherwise interfere with them in the performance of their duties, or who shall disobey or evade the instructions of such employees of the City, or who is careless or incompetent, or who is objectionable to the City authorities, shall be discharged at the request of the Engineer, and shall not again be employed, except with his consent. Skilled labor only shall be used in the cases where the same is required.

(32) **Suspending the work:** The City, on account of public necessity, adverse weather conditions, or for other reasons, may order any portion or all work suspended, and thereupon the Contractor shall neatly pile up all materials, provide and maintain board walks and crossings, and take other means to properly protect the public and the work and to facilitate traffic. In case of such suspension of work, the time allowed for the completion of the work shall be extended in an amount equal to that lost by the Contractor, but the Contractor shall be entitled to no additional claim for damages therefor.

(33) **Forfeiture of contract:** Should the work to be done under this contract be abandoned by the Contractor, or if this contract or any part thereof be assigned or the work sublet by him without the previous written consent of the City or if at any time any official of the City or employee thereof become directly or indirectly interested in this contract or in furnishing the supplies or performing the work hereunder, or in any portion thereof; or if at any time the City may be of the opinion that the performance of the contract is unnecessarily or unreasonably delayed, or that the Contractor is willfully violating any of the provisions of this contract; or if the work be not fully completed within the time named in the contract; then and in any such case the City may notify the Contractor in writing to discontinue all work or any part hereof as may be designated, and the City may thereupon, according to law, enter upon and take possession of the work or part thereof, complete, or cause the same to be completed, and charge the entire expense of so completing the work or part thereof to the Contractor; and for such completion, the City itself or for its Contractors, may take possession of and use or cause

to be used any materials, machinery, or tools of every description provided by the Contractor for the purpose of this work, and may procure or cause to be procured other materials, machinery, or tools required for the completion of the work.

All cost and expenses, including those of re-letting, (and damages resulting from the non-completion of the work within the specified time) incurred under these clauses, or by virtue of this contract, shall be deducted and paid by the City out of any monies then due or to become due the Contractor under and by virtue of this contract or any part thereof. In case such cost and expenses shall exceed the amount which would have been payable under this contract if the same had been completed by the Contractor, the Contractor or his sureties shall pay the amount of such excess to the City; and should such expense be less than the amount payable under this contract had the same been completed by the Contractor, he shall receive the difference, after deducting the amount retained as hereinafter specified, but shall not be entitled to damages for not being allowed to complete the work himself.

In case of abandonment of the work by the contractor, or its termination by the City, the Director of Public Service shall at once cause the work already done under this contract to be measured. Five percent (5%) of the value of the amount thus shown will be set aside as a retainer under the provisions hereof. In such case no money, due or payable to the Contractor under this contract after the annulling of the same, shall be paid until the work is completed, accepted, and all claims and suits by reason of said work have been finally settled. The retained five percent (5%) shall be held for the full guaranty period, as specified herein and used as provided in other provisions hereof, for keeping in repair so much of the work as was done or completed under this contract.

(34) Storing materials delivered on work: All materials required in the work may be placed on the sides of the roadway, or parking area, or upon a portion of the sidewalk along the sides of the roadway to be improved and upon adjoining portions of intersecting streets, as directed by the Engineer; but all such materials shall be neatly and compactly piled in such a manner as to cause the least inconvenience to the property owners and the general public. All fire hydrants must at all times be kept free and unobstructed; water and gas shut off boxes must be left uncovered by such materials; and passageways must be left for store entrances, private driveways and street intersections.

No materials, tools or machinery shall be piled or placed against shade trees unless they be amply protected against injury therefrom, and all shade trees and other improvements must be protected from injury caused by the storing of materials or otherwise during the prosecution of the work.

All materials, tools, machinery, etc. stored upon public thoroughfares must be provided with red lights at night time, and danger signals by day, to warn the traffic of such obstructions.

(35) Storage of materials, tools and machinery during suspension of work: Upon the suspension, stoppage, or abandonment of the work, or any part thereof, all materials shall be neatly and compactly piled, and all tools and machinery so located as not to impede public traffic on roadways, sidewalks and crosswalks unnecessarily. All such stored materials, tools

and machinery shall be provided with danger signals by day and red lights by night.

(36) **Ownership of old materials:** All old curbing, stone walk, paving brick, brick crosswalks, gutter paving bricks, gutter plates and culverts, sewer pipe, iron pipe and castings, are the property of the City and all such materials as are not ordered replaced, shall be removed by and at the expense of the Contractor, to such places as the Engineer may direct. If the Engineer chooses to not accept such materials, the Contractor must dispose of them at no cost to the City.

(37) **Plans, profiles, and specifications:** The plans, profiles and specifications are intended to be explanatory and supplementary of each other, but should any discrepancy appear or misunderstanding arise as to the import of anything contained in either, the explanation of the City shall be final and binding on the Contractor. Any correction of errors or omissions in the plans, profiles and specifications may be made when such corrections are necessary for the proper fulfillment of their intentions as construed by the City.

Any correction in the plans, drawings, and specifications made pursuant to the provisions of this paragraph shall not be retroactive, but shall take effect at the date of notification to the Contractor of such correction.

The City will furnish the Contractor with up to three (3) sets of additional copies of the plans (full size or half size, if available) as may be required, for the construction of the work herein specified.

(38) **Private rights of way:** Whenever it is required as a part of this contract to perform work within the limits of private property or private right of way, such work shall be done in conformity with the agreements between the City and such owners, and whether or not such a condition be a part of this agreement, care shall be taken to avoid injury to the premises entered, which premises must be left in a neat and orderly condition by the removal of rubbish and surplus materials and restoring vegetation to meet or exceed pre-contract condition.

(39) **Injunctions:** If legal obstructions to the prosecution of the work arise, the delay shall operate to extend the time allowed for the completion of the part or parts of the work obstructed, for the length of time obstruction continues and no longer, but no damages shall be claimed or allowed the Contractor for any such delay.

(40) **Attested accounts:** In case any person who has performed labor or has furnished materials, tools, or machinery for the work herein specified, he may file sworn itemized statement of the amount of value therein, as required by law, and if such claims be not disputed by the Contractor, or if the same are disputed, after the amount and validity have been determined by law, the City may pay the amount of such claims out of any money due the Contractor under this contract.

(41) **Claims for extra materials and work:** All claims for furnishing extra materials, or for doing extra work, for which the Contractor may consider himself entitled to receive extra compensation, must be presented to the Director of Public Service in writing, at the time the

cause for such claim arises. Such statement must contain an itemized account of such materials and labor required, and unless such claim is so presented, it is expressly agreed, by the parties to this contract, that the Contractor has waived such claim, and that he shall not be entitled, subsequently to claim, or receive any pay for the same. No claim for extra labor and material shall be allowed, unless the necessity therefor has first been determined by the Director and the price to be paid therefor has been agreed upon, in writing, before such additional materials have been used, and such additional labor performed. See Change Order Policy in the Appendices for more information.

(42) Claims for damage for omission or delays: If any change or alteration involves the omission of any materials or work called for in the original plans and specifications, any claim for loss of profits, or any other cause growing out of any such omissions is hereby expressly waived by the Contractor.

No claims for prospective profits will be allowed, by reason of the inability of the City to proceed with all, or any part of the work provided for in this contract; nor for damages by reason of any delay on the part of the City, but any such delay shall entitle the Contractor to a corresponding extension of time for the completion of the work. See Claims Management Policy in the Appendices for more information.

(43) Damages to property: All damages to lawns, fences, trees, buildings, sidewalks, water, sewer or gas pipes, or other public or private property along or near the line of work, or the vicinity thereof, if the same are occasioned through neglect or failure on the part of the Contractor, or that of any person in his employ, to take all necessary precautions to prevent the same, must be replaced or made good by him, to the satisfaction of the owners of same and at his cost and expense whenever the Engineer may so direct.

(44) Liability of contractor for injuries, patents, etc.: It is expressly understood and is hereby agreed that the whole of the work to be done is at the Contractor's risk. The contractor assumes by bidding under these specifications, the full responsibility and risk of all damages to the work itself, the property along the line of the work, injury to persons or animals which may be occasioned by floods, stoppage of water in sewers or gutters, caving in of surface of grounds or trenches, neglect in properly protecting work by barricades, etc., or any manner whatsoever. He shall bear all losses resulting to him on account of character of the work, or because the nature of the ground in or on which the work is done, is different from what was estimated or expected, or as may have been indicated by borings or test pits, or on account of the weather, actions of the elements or other causes.

He shall assume the defense of any indemnity and save harmless the City and its individual officers and agents from all claims relating to labor and materials furnished for the work to inventions, patents and patent rights used in doing the work, to injuries to any person or corporation received or sustained by or from the Contractor and his agents and employees in doing the work, or in consequence of any improper materials, methods, implements or labor used therein, or by reason of any condition in the improvement created by the Contractor or for any other liability therefor.

The Contractor, if required at any time by the Director, shall furnish the City satisfactory evidence that all persons who have claims for labor performed or material furnished hereunder, or have suffered damages on account of his operations, have been fully paid or secured. And in case evidence be not furnished as aforesaid and such amounts as the Director may consider necessary to meet lawful claims of persons aforesaid, shall be retained from the monies otherwise due the Contractor hereunder, until the liabilities shall have been fully satisfied.

If the Contractor shall claim compensation for any damages sustained by reason of the acts of the City, he shall within five (5) days after the sustaining of such damages, present a written statement to the City of the nature of the damage sustained. On or before the fifteenth day of the month succeeding that in which any such damage shall have been sustained, he shall file with the City an itemized statement of the details and amount of such damage, and unless such statement shall have been filed as thus required, his claim for compensation shall be forfeited and invalidated, and he shall not be entitled to any payment on account of such damage.

The statement of any specific duty or liability of the Contractor in any part of the specifications shall not be construed as a limitation or restriction upon any general liability or duty imposed upon the Contractor by these specifications, said reference to any specific duty or liability being merely for the purpose of explanation.

(45) Safety measures -- barricades: The Contractor must provide and maintain barricades to properly protect persons, animals, vehicles and property against injury. He shall also provide, place and maintain sign boards, letter "STREET CLOSED" in plain legible type, upon the streets and alleys in which the work is in progress and upon each street and alley intersection therewith at a distance of one block therefrom, as may be directed by the Engineer.

(46) Traffic regulations: The Contractor is responsible for all traffic control on the project whether or not it is called out in the detailed specifications or plans. All traffic control must comply with appropriate City, State, and Federal rules, regulation, and guidelines. During the progress of the work, the Contractor shall accommodate both the vehicular and foot traffic and shall maintain free access to fire hydrants, water and gas valves. Gutters and water ways must be kept open and other provisions made for the removal of storm water.

During the construction of the sewer work and other ditches, only one-half of the street intersections may be blocked at one time and the Contractor shall provide and maintain temporary driveways, bridges, and crosswalks over sewer and other trenches, such as, in the opinion of the Engineer in charge of the work, are necessary to reasonably accommodate the public.

To accommodate pedestrians during the progress of the work, the Contractor shall provide and maintain crosswalks on that portion of the street being improved, both across the main roadway and at the street and alley intersections. The crosswalks shall be constructed of planks two (2) inches thick, and within the fire limits of the City, they shall be at least five (5) feet wide, and outside the fire limits at least three (3) feet wide.

When the City deems it advisable or necessary to divert traffic from the work or any portion thereof, the Contractor shall provide and maintain detour signs, letter "DETOUR" in plain and legible type, and indicating the direction to be taken by traffic as directed by the Engineer.

In the event of the Contractor's failure to comply with the above provisions relative to traffic regulations, the City may cause said provisions to be carried out and the cost and expense of such work shall be deducted from any money due the Contractor under this contract, but the performance of any such work by the City, or at its insistence or request, shall in no way release the Contractor from his general or particular liability for the failure to provide for the safety of the public or the work under this contract.

The Contractor shall not place any material on any sidewalk so as to interfere with the free access to any crosswalk by pedestrians.

No additional compensation will be paid the Contractor by the provision and maintenance of bridges, crosswalks, etc., as above specified, but the cost and expense of maintaining the same shall be considered as part of the general contract and shall be included by the Contractor in the prices bid by him upon the several items as named upon the proposal therefor.

(47) Hauling materials on paved streets: During the progress of the work and in the cleaning up thereof, the Contractor shall provide and use vehicles in which the excavated or other materials are hauled over paved streets in the City, with tight bodies for transportation of fine materials and shall not overload the same so as to allow such materials to fall off the tops thereof upon the streets. The paved streets over which such material is hauled must be kept free from dirt and other materials in accordance with the provisions of City Ordinance regulating same.

(48) Cleaning up during the progress and completion of work: During the progress of the work the Contractor shall remove all surplus excavated materials, obstructions, old materials not used, trees, stumps, filth or rubbish of any kind that may be encountered in the execution of the work, at his own cost and expense except when the removal and transplanting of trees be specified and bids therefor are required upon the blank proposal attached thereto.

As fast as any portion of the work, such as the construction of sewers or drains not located in the street or streets to be improved under the contract is completed, the backfilling of trenches and the repaving over the same shall be done as soon as possible, as herein specified.

As fast as the roadway pavement is completed, the Contractor shall remove all rubbish and surplus materials which have accumulated during the progress of the work provided herein, from the new or existing sewers, the roadway, sidewalk space and intersecting streets and shall render the streets suitable, safe and convenient for traffic.

Upon the completion of the improvement and before the final acceptance thereof, the Contractor shall remove all machinery, tools, temporary building and shall clean the pavement, curb and sidewalks in such a thorough and effective manner by hand sweeping, scraping or by

flushing, according to kind of pavement or condition of the street, as will be determined by the Engineer, so as to leave the entire surface of the pavement, curbs and sidewalks so exposed that the quality and texture of the materials used and workmanship may be readily determined. He shall also remove all centering, scaffolding and accumulations of sand, earth, materials, and rubbish of all kinds from the sewers, manholes, inlets, and catch basins. If the improvement is completed too late in the fall to permit all of the cleaning up as herein specified, that portion not completed shall be done the following spring within ten (10) days after written notice to do so from the Engineer.

All such cleaning and removal of cleanings shall be done by the Contractor and the cost and expense thereof shall be included in his price for furnishing of materials and laying of pavement.

In case the Contractor shall fail or neglect to do any cleaning within forty-eight (48) hours after the receipt of notice to do so, or in the manner specified, the Director of Public Service may and is hereby authorized to cause the same to be done and charge the cost and expense thereof to said Contractor and deduct the amount of such cost and expense from any estimate due him at any time thereafter.

(49) Existing surface fixtures and structures: At least forty-eight (48) hours before breaking ground, the Contractor shall notify all the City Departments and public service corporations, whose tracks, wires, pipes, conduit or other structures may be affected by his operations. He shall likewise notify the Chief of the Fire Department of the temporary blocking of any street.

Existing surface structures which may be encountered in the work shall be removed and replaced or maintained by the Contractor at his cost and expense, or by the parties interested, and in such a manner as to secure the safety of the public and structure. The use of pipes, conduits, etc. shall not be interrupted without the consent of the parties owning or controlling the same.

(50) Existing sub-surface fixtures and structures: Existing sub-surface structures encountered in the work shall be protected and maintained in complete operation, unless permission is given for their removal. Existing substructures, including old sewers, abandoned sewers, abandoned drains, etc., which may appear within the limits of the excavating, shall be removed, if required by the City, but such removal will not be paid for separately, except when expressly specified, being paid for in the price for excavation or other items including excavation.

In case the uncovering of sub-surface structures necessitates a change in the alignment of grade of the proposed work, the Contractor shall give immediate notice of such obstruction to the Engineer, and shall cease work at such points until ordered to proceed.

And in case any change of grade or alignment shall delay the work, the time allowed for the completion of the contract will be extended to the extent which the delay shall have operated, the decision of the Engineer upon this point being final.

(51) **City may construct sewers, drains, etc.:** The City reserves the right to suspend or stop the work on all or any part of the progressing improvement, for the purpose of laying, relaying or allowing to be laid, or re-laid, any sewers, drains, gas pipes, water pipes, conduits or appurtenances thereto, which, in the opinion of the Director of Public Service are necessary or expedient, or for any other reason, and at any stage of the work, and the Contractor shall not interfere with or place any impediment in the way of any person or persons engaged in such work; and in such cases the Contractor shall not be entitled to any damages or recompense, either for digging up the street, or delay or hindrance, but the time of completion shall be extended as many days as the delay shall have operated.

It is the intention of the City to require all property owners to have water and sewer connections made to all lots, and to cause to be laid all water mains, gas mains, sewers and sewer connections, and other pipes, conduits, etc., not included in the contract hereunder, in advance of the improvement, except when in the opinion of the Director of Public Service such procedure be impracticable and the Contractor shall not be entitled to damages or recompense by reason of delay or hindrance, but he shall be granted an extension of time equal to that in which the delay shall have operated, as determined by the Director of Public Service.

If the Contractor hereunder finds that the trenches are not properly backfilled, he shall so notify the Engineer in writing, allowing ample time to have the defects remedied before proceeding with the improvement.

The Contractor may exercise the right to such supervision of the work, as he may deem necessary to insure good material and workmanship, in order that he may properly protect himself from defects in the finished pavement for which he will be responsible under his guaranty. The Contractor will be allowed and paid for any additional materials, the use of which is made necessary on his part by reason of the above specified work, such reasonable sum (not to exceed contract price) as may be agreed upon in writing between himself and the Director before such additional materials be used, and in the manner specified for subsidiary contracts.

(52) **Special repairs:** The City reserves the right, whenever in its judgment, to take up or permit the taking up of any part of the improvement during the progress of the work, or subsequent to the completion thereof and during the period of guaranty for the purpose of constructing, repairing, or renewal of any sewers, drains, water or gas pipes, or other improvements. Whenever any part of the improvement is taken up as herein specified, all the work of restoring the same will be done by or under the direction of the City and the Contractor hereunder will be relieved of any maintenance requirements on that portion of the completed improvement so disturbed.

(53) **Use of city water supply:** The City will furnish water at the hydrants for the purpose of puddling trenches, construction purposes, operation of machinery, mixing concrete, mortar, etc., but the cost of water and the proper facilities for conveying the same from the hydrants must be included by the Contractor in the unit prices bid for the various items of work wherein water will be used. All water used must pass through meters installed by the Water Department at its hydrants and subject to its regulation and paid for at the builder's rate per one thousand (1,000) cubic feet of water consumed, as established by said Department, plus

the cost of meters and installation of same. A deposit will be required covering the cost of meter and installation thereof, which deposit of cost of meter will be refunded on return of meter in good condition.

The Contractor must notify the Water Department at least forty-eight (48) hours in advance of the time such installation is required.

(54) **Use of sewer:** At any time during the progress of the work the City may, by written notice to the Contractor, take over and utilize the whole or part of any sewer, drain or appurtenance thereof which has been completed, giving if desired, permits to tap and connect therewith. In such event, the Contractor shall be relieved from the maintenance of such part as may be used except as provided under the section "Guaranty" and such will be deemed as final acceptance by the City of the part or parts used, subject to the responsibility of the Contractor for all defects in workmanship, etc., as provided under the "Guaranty" section of these specifications.

(55) **Sanitary regulations:** Necessary sanitary conveniences for the use of the laborers on the work, properly secluded from public observation, shall be constructed and maintained in a sanitary condition by the Contractor in such manner and at such points as shall be approved, and their use shall be strictly enforced.

(56) **OSHA standards:** It is the City's requirement, under OSHA Regulations, that all outside contractors hired by the City of Canton are and will be in full compliance with all OSHA standards and perform said work in accordance with all applicable OSHA standards.

(57) **Laws and ordinances:** The Contractor shall keep himself fully informed of all laws, municipal ordinances and regulations that in any manner affect the persons engaged in or employed upon the work, or the materials used in the work, or any way affecting the conduct of the work, and of the decrees of the bodies or tribunals having jurisdiction or authority over the same. He shall also himself observe and comply with and shall cause all of his agents and employees to observe and comply with all such existing and subsequent laws and ordinances, regulations, orders and decrees, and to protect and indemnify the City against claim or liability arising from or based upon the violation of such laws, ordinances, regulations, orders or decrees by himself or by his agents or employees.

References to special laws and ordinances in other sections of this contract shall in no way relieve the Contractor from compliance with all the provisions of this section.

(58) **Monuments and landmarks:** The Contractor shall preserve intact all City monuments, benchmarks and landmarks, as shown upon the plans or encountered in the excavation. In such case that such monument, benchmark or landmark not shown on the drawings be encountered in opening the excavation, the Contractor shall stop work at such point, immediately notify the Engineer of such findings and not disturb same until directed to do so by the Engineer.

(59) **Prices:** The City shall pay and the Contractor shall receive the prices hereafter stipulated as full compensation for everything furnished and done by the Contractor under this contract.

This shall include all incidental work required but not specifically mentioned, and also for all loss or damage arising out of the nature of the work, or from the action of the weather, floods, or from unforeseen obstruction or difficulty encountered in the prosecution of the work, and for the expenses incurred by or in consequence of the suspension or discontinuance of the work as herein specified, and for well and faithfully completing the work and the whole thereof, as herein provided, together with the remedying of all defects developing during the prosecution of the work and during the period for which the work is guaranteed.

(60) Starting and completing the work (Contract Duration): The Contractor shall not start the work embraced in this contract before the date of a written notification from the Engineer, and shall commence at such points as the City may direct.

If the work done under this contract conflicts with other work done for or by the City, or with its consent, the City shall determine the time and manner of procedure of the operations carried on under this contract.

The number of days allowed for the completion of the work embraced in this contract shall be 60 calendar days from the Notice to Proceed date.

Contractor is responsible for any additional costs due to weather-sensitive construction, such as, but not limited to, protecting concrete from freezing, heating of water as needed, etc. as well as insuring that all materials used satisfy appropriate specifications such as, but not limited to, asphalt temperature specifications, non-frozen backfill material, etc.

The permitting of the Contractor to complete the work or any part thereof, after the time fixed for its completion, shall in no way operate as a waiver on the part of the City of any of its rights under this contract.

(61) Defaulted provisions for delay: The Contractor guarantees that he can and will complete the work on or before the time affixed in his bid, or on or before the extended time as provided for in the contract. The payment to the City for such delay and failure on the part of the Contractor shall be defaulted amount of One-thousand Dollars (\$1000.00) for each day by which the Contractor shall fail to complete the work, or any part (including Interim) thereof, in accordance with the provisions of the contract. The City will deduct and retain, from any money due or any money to become due under the contract, the amount of the liquidated damages. The Contractor shall be liable for the payment of the difference upon demand of the City.

(62) Samples: Each bidder shall submit samples of materials, or refer to samples of materials furnished by the Manufacturer or Producer, at the time of submitting the bid, as required in detail specifications under each item, for which bids are received. Whenever samples of any material or workmanship have been filed by the Contractor, or are on file as specimen of the work to be done or materials to be furnished for the work herein specified, such samples shall be the standard by which that kind and class of work shall be judged.

(63) Measurements: The contract will not use extra or customary measurements of any kind,

unless specially noted, in measuring the work under these specifications; the length, area, solid contents or number only, are considered as a basis for payment as hereinafter specified.

The measurements as made by the City of the amount of the work done shall be final and conclusive.

Payments will be made upon the work done within the lines prescribed by the plans, drawings or specifications, and in accordance with the unit prices for the items under which the work is done. Nothing therein contained depriving the City of any remedy or defense it may have under the same, for violation of the terms or conditions of this agreement.

(64) **Partial payments:** The Contractor shall, on a day of each calendar month as is mutually agreeable to the Contractor and the City, make an approximate estimate of the quantities and prices of the labor furnished and the materials incorporated into the project during the previous calendar month and forward such estimate to the Engineer for approval. More frequent estimate submission, at the option of the City, may be made at any time during the progress of the project.

Partial payments to the Contractor for work performed for a lump sum price shall be based on a well-balanced schedule prepared by the Contractor and approved by the Engineer which schedule shall apportion the lump sum price to the principal features entering into or forming a part of the work covered thereby.

Partial payments to the Contractor for labor performed and materials furnished shall be made at the rate of ninety-two (92) percent of the estimate submitted by the Contractor and approved by the Engineer until the project is fifty (50) percent completed. The reimbursement rate will be one hundred (100) percent of such estimates after the project is fifty (50) percent completed. **The City will not make payment for materials stored on site.**

The City shall pay the Contractor monthly, not less than the difference between the amount of each monthly estimate which has been approved by the Engineer and the sum of Retainage stipulated below and any other amounts which the City is authorized by the contract to withhold. The making of any monthly payment shall not be taken or construed as approval or acceptance by the City of any work included in the estimate upon which such payment is based.

If the City fails to make payment within sixty (60) days after approval by the Engineer, in addition to other remedies available to the Contractor, there shall be added to each such payment interest at the average of the prime rate established at the commercial banks in the city of over one hundred thousand population nearest the construction project, commencing on the first day after said payment is due and continuing until the payment is received by the Contractor.

To aid in determining quantities of materials for pay, the Contractor shall, whenever requested by the Engineer, provide scales, equipment and assistance for weighing or for measuring such materials.

For estimating quantities in which computation of areas by geometric methods would be comparatively laborious, the City agrees that a planimeter or other agreed upon method may be used.

(65) (66) **Pre-final and final estimates and payments:** As soon as practicable after the completion of work under the contract, the Engineer will perform a formal inspection of the project. If the project appears to be acceptable, the Engineer will recommend tentative acceptance thereof and make a pre-final estimate of the amount of the work done by the Contractor based on quantities and prices submitted by the Contractor. Upon such certified pre-final estimate, the City will pay the Contractor all of the monies owing him under the contract, except the Retainage, which the City will hold for sixty-day (60) period after the date of the pre-final estimate.

Upon the expiration of such sixty (60)-day period, provided that it appears upon further inspection and certification by the Engineer that the contract has been faithfully performed, the City will pay to the Contractor the whole sum retained or such part thereof as remains after deducting expenses of correcting any deficiencies in the work as determined by the Engineer. Such final inspection and payment will not discharge the liability of the Contractor under the contract or of the surety under the contract bond, but such liabilities and all guarantees shall remain in effect for the period fixed by law.

(67) **Additional contract:** It must be distinctly understood that should more than one contract be awarded to the same Contractor, he may be required to prosecute the work upon all of them at one and the same time. At the option of the Director, and he shall not be permitted to transfer men, tools, or machinery from one job to another without the consent of the Engineer. The contractor shall at all times have a competent foreman and a sufficient number of men, tools, and machinery upon each job, at the same time, as well, in the opinion of the Engineer, be sufficient for the proper prosecution of the work.

(68) **Insurance:** The Contractor shall at all times during the progress of the work, comply with all the provisions of the laws of Ohio relating to workmen's compensation and State insurance fund for the benefit of injured and the dependents of killed employees. The Contractor shall at all times during the progress of the work carry accident liability insurance in an amount sufficient to reasonably indemnify himself against loss from claims for personal injuries or fatal accidents occurring upon the work or caused thereby including injuries and accidents to employees of the Contractor, persons engaged on the work under another contractor, employees of any sub-contractor or other engaged on or about the work and the public. The City reserves the right to annul this contract at any time upon receiving evidence of the Contractor's failure to comply with the statutes as described above.

(69) **Last payment to terminate liability of City:** No person or corporation, other than the signer of this contract as Contractor, has now any interest hereunder, and no claim shall be made or be valid, and neither the City nor its agents shall be liable for, or be held to pay any money, except that provided in this contract. The acceptance by the Contractor of the last payment made as aforesaid shall operate as and shall be a release to the City and agents

thereof, from all claims and liability to the Contractor for anything done or furnished for, or relating to the work, or for any act or neglect of the City or of any person relating to or affecting the work, except the claim against the City for the remainder, if there be any, of the amount kept or retained.

(70) **Guaranty:** The Contractor, for and in consideration of the monies received and to be received by him, hereby agrees that the repairs of all defects in the work done and completed under this contract arising, in the opinion of the Director, out of the use of defective materials, settlements of sewers, structures, and foundations or improper workmanship in the construction thereof, and which repairs from such causes may become necessary during the period of years, as set forth below, after the date of the approval by the Director of the Engineer's certificate of the "FINAL COST", shall be made by him without cost and expense to the City, and the Contractor agrees to make such repairs when, and as ordered by the Director, by written notice served upon him and if after having received such notice, the Contractor fails to make such repairs within the number of days stated in such notice, from the date of receipt thereof, the Director shall thereupon have the power to cause said repairs to be made and charge the cost and expense thereof to the Contractor or his surety.

The failure of the Director to give notice within the specified period shall not preclude the operation of this section.

The guaranty periods referred to above in this section shall be as follows:

C.I.P.P. Rehabilitated Sewers, 2 years (for more information, see page 40, section 3.07, Post Installation)

Concrete curbing, 1 year

Concrete sidewalks, 1 year

Concrete masonry, 1 year

Brick masonry, 1 year

Sewers, manholes, catch basins, 1 year

Asphaltic concrete pavement, 1 year

Concrete foundation, 1 year

(71) **No estoppel:** The City shall not be precluded or estopped by any return or certificate made or given it, from showing at any time, either before or after the final completion and acceptance of the work and payment therefor pursuant to any such return or certificate, the true and correct amount and character of the work done and materials furnished by the Contractor or any other person under this agreement, or from showing at any time that any such return or certificate is untrue and incorrect or improperly made in any particular, or that

the work and materials, or any part thereof, do not in fact conform to the specifications; and the City shall not be precluded or estopped, notwithstanding any such return or certificate and payment in accordance therewith, from demanding and recovering from the Contractor such damages as it may sustain by reason of his failure to comply with the specifications.

Neither the acceptance by the City, nor any order, measurement, or certificate, by the City, nor any order for payment of money, nor any payment for, nor acceptance of the whole or any part of the work by the City, nor any extension of time, nor any possession taken by the City, or its employees, shall operate as a waiver of any portion of this contract or of any power herein reversed to the City, or any rights to damages herein provided; nor shall any waiver of any breach of this contract be held to be a waiver of any other or subsequent breach.

DETAILED SPECIFICATIONS

(72) Special Contract Items

Scope of Work and Conditions – Stark State 3rd & Cherry S.E. and future work.

The following Scope of Work and Conditions shall apply to this Lighting Project and any future work that fall under this contract. These Conditions are supplementary to the Electrical General Notes which are made a part of these plans.

1. The Electrical Contractor shall provide all Labor, Equipment and Materials necessary for the installation of foundations, conduits, wiring, pull boxes, Milbank controllers and items listed on the attached Bid Item Sheet attached for Seven (7) City Installed Nostalgic Street Lights, and pole appurtenances as per the Plan, General Notes and City Standard Drawings and Specifications (***See the sheets following this section***) as directed by the City Engineer. The Electrical Contractor shall obtain the City provided anchor bolts at the 30th Street N.E. Traffic Signal and Lighting yard.
2. The City Engineer's Office, at its direction due to constructability restraints, reserves the right to reasonably adjust the locations of all foundations, pull boxes, controllers, power service source and conduits. All location adjustments shall be at no additional charge to the City.
3. The Electrical Contractor shall review the Plan, General Notes and City Standard Drawings and Specifications prior to submitting a proposal. Bring any RFI questions or constructability issues to the attention of the City Engineer for clarification prior to submitting a bid.
4. The attached Bid Proposal Form is an Engineers Estimate of Quantities only. Omission of any item does not relieve the Electrical Contractor from performance of the work under the executed Purchase Order amount if the item is found elsewhere in the Plans, General Notes and Standard Drawings and Specifications attached. Such omission shall be brought to the attention of the City Engineer prior to the bid.
5. The owner will cause the removal of its existing parking lot poles and lights/foundations on 2nd St. and elsewhere within the City R/W as needed for the

improvements. The Electrical Contractor under this bid will be responsible for the removal of the existing AEP Steel Pole and foundation on Cherry Ave. Return the AEP pole to the AEP yard.

6. The Electrical Contractor is to contact AEP to arrange for the scheduling of the Service Drops from existing AEP Wood Pole on the northwest corner of 3rd & Savannah S.E. as shown on the plans. The Electrical Contractor is responsible for payment of all AEP charges associated with the service drops. The conduit for electrical service from AEP pole to the Milbank Controller M is to be continuous with a continuous service cable to the "Line" side of the controller. The Electrical Contractor shall provide all electrical connections within the controllers under the line item cost for the controller.

7. The Electrical Contractor shall provide and install conduits, typically 1 foot behind face of curb or as directed by the Engineer, as shown on the plan from pull box to pull box and pole to pole. The conduits are to be set 18 inches deep. Estimated quantity of trench includes the trenches required to cross 2nd Street (approx. 53 L.F. ODOT Type B trench). It is assumed and acceptable for conduit to be placed directly behind the new curbs in the trench excavated for curb forming and no trench payment shall be made for this installation. Any cost anticipated shall be incidental to the cost of the conduit L.F labor/material. Five ft. of trench per pole is included in the estimate for conduits and trench from curb to pole.

8. The Electrical Contractor shall construct the pole foundations according to the attached Standard Drawing 65. **See the sheets following this section.** The Electrical Contractor shall construct the Milbank foundations according to the Manufacturer's specifications. Foundations and pull boxes shall be backfilled with compacted 304 material. If proper compaction cannot be obtained, #57 crushed stone must be used to within 6 inches of finished grade. The Electrical Contractor shall remove all excess excavated material to subgrade.

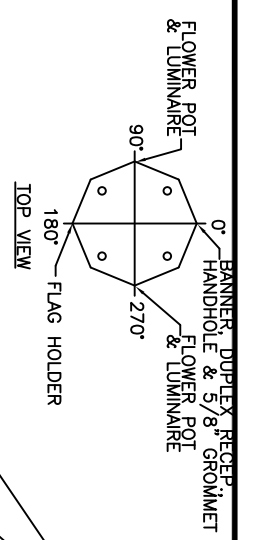
9. Conduits running from Pull Boxes to curbs for future road crossings shall extend under the curb and capped as directed by the Engineer.

10. The Electrical Contractor is responsible for its Maintenance of Traffic and should work with the Sidewalk/Site Contractor to assure that the work zones are sufficiently covered. The cost for MOT is incidental to construction and any costs are to be distributed within the Bid Line Items.

11. Mobilization and De-mobilization is incidental to the construction and any costs are to be distributed within the Bid Line Items.

12. All salvaged material and unused City provided materials are to be returned to the Traffic Signal and Lighting Yard as directed by the Engineer.

DESIGN NO.	BANNER ARMS
B2473-54-B14-Y1	YES
B2473-54-B14-Y2	NO



HOLDER FOR FLOWER POT

REMOVABLE TOP ORNAMENT FOR WIRING ACCESS & LUMECODN UAI LED PART NO. 796-40660 PER DWG. NL318R-3-A3 TO BE ORDERED SEPARATELY

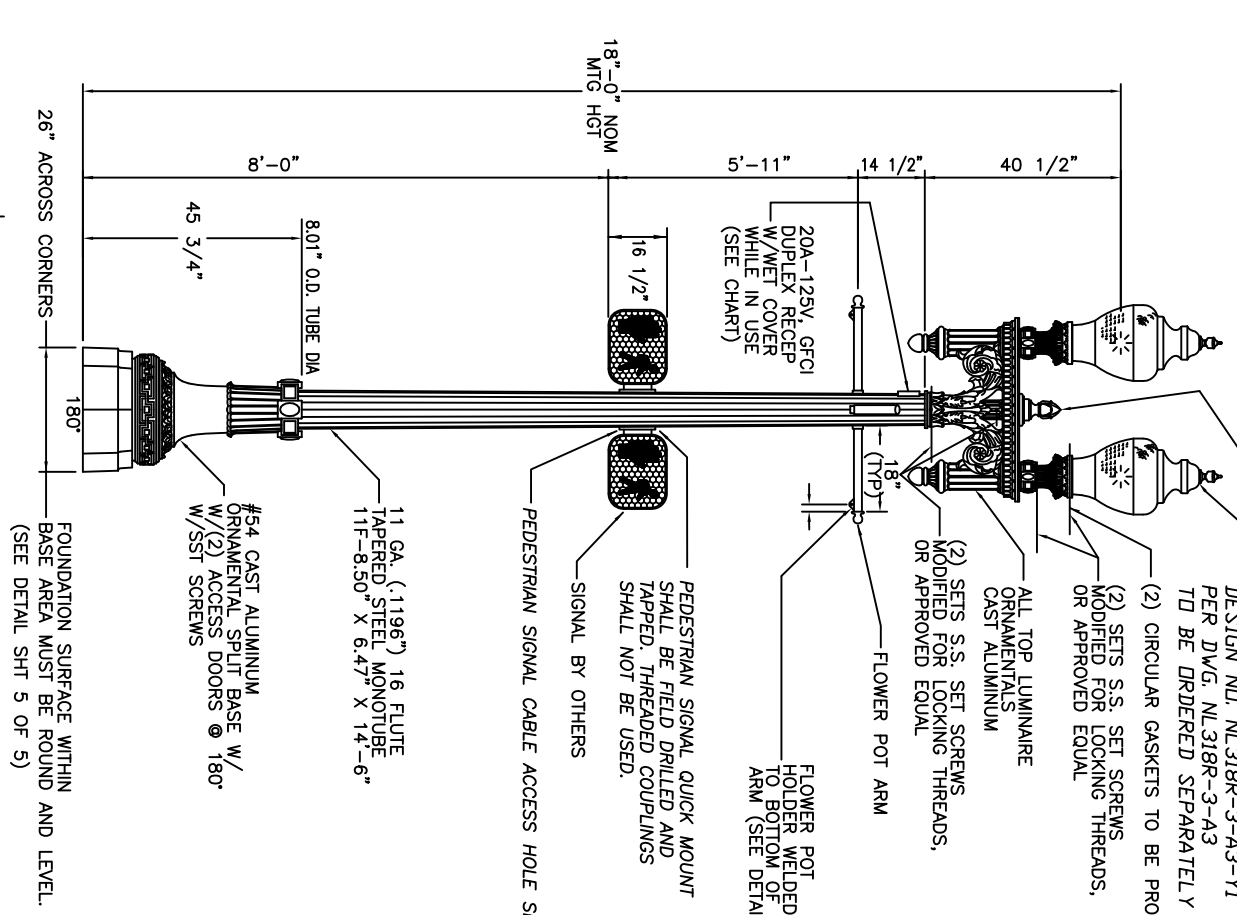
(2) CIRCULAR GASKETS TO BE PROVIDED
(2) SETS S.S. SET SCREWS MODIFIED FOR LOCKING THREADS, OR APPROVED EQUAL

ALL TOP LUMINAIRE ORNAMENTALS CAST ALUMINUM
(2) SETS S.S. SET SCREWS MODIFIED FOR LOCKING THREADS, OR APPROVED EQUAL

FLOWER POT ARM
FLOWER POT HOLDER WELDED TO BOTTOM OF ARM (SEE DETAIL)

PEDESTRIAN SIGNAL QUICK MOUNT SHALL BE FIELD DRILLED AND TAPPED, THREADED COUPLINGS SHALL NOT BE USED.
SIGNAL BY OTHERS

PEDESTRIAN SIGNAL CABLE ACCESS HOLE SHALL BE 1 3/8\"/>

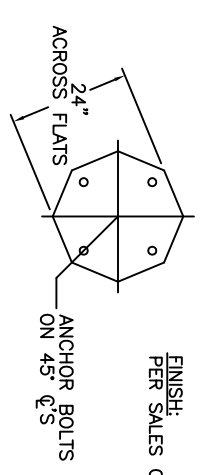


FINISH: PER SALES ORDER.

FOUNDATION SURFACE WITHIN BASE AREA MUST BE ROUND (SEE DETAIL SHT 5 OF 5)

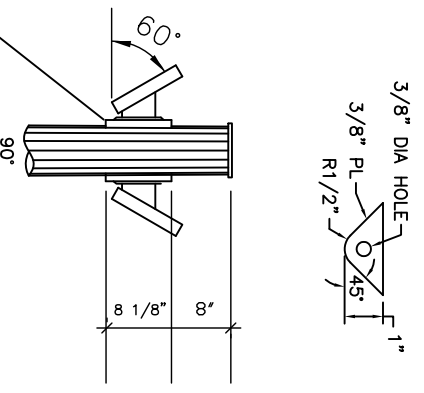
11 GA. (.1196\") 16 FLUTE TAPERED STEEL MONOTUBE 11F-8.50\"/>

#54 CAST ALUMINUM ORNAMENTAL SPLIT BASE W/ W/ST SCREWS @ 180°

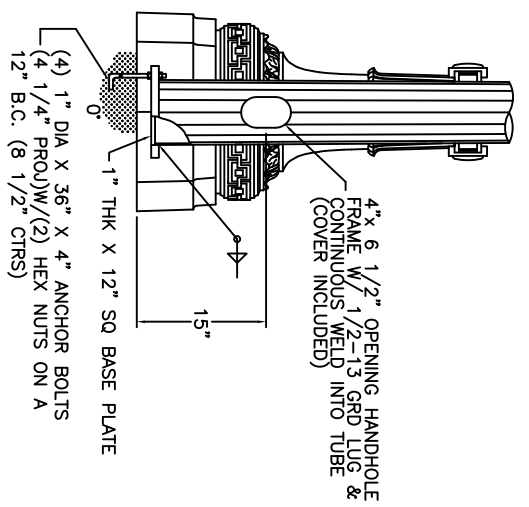


STATE	STATE	REQ# / SO#	REQ	REV	DESCRIPTION	DATE	REV BY/CHK BY
TITLE 1							
TITLE 2							
DESIGNED BY	CHECKED BY	DATE	SCALE	ENG. REF.			
DGNR	EJM						
DRAWING-NUMBER	REVISION	SCALE	REVISION	REVISION	SCALE	ENG. REF.	REV BY/CHK BY

This document and the contents herein are proprietary and the property of Union Metal Corporation. This document is not to be copied, reproduced, or used for any reason except for the purposes which it was issued without the express written consent of Union Metal Corporation. Furthermore, Union Metal Corporation reserves the right to recall this document and all copies at any time for any reason.



REMOVABLE FIELD INSTALLED CAST & FABRICATED ALUMINUM FLAGHOLDER SECURED BY (2) SS 3/8\"/>



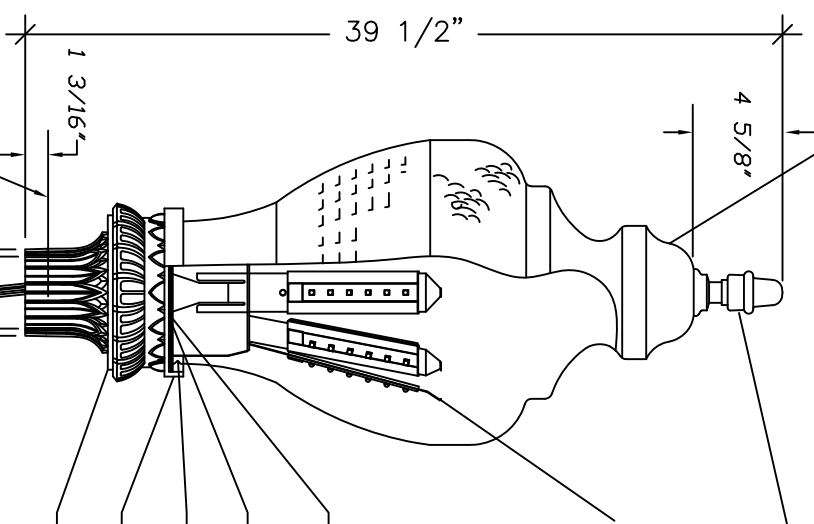
(4) 1\"/>

STATE	STATE	REQ# / SO#	REQ	REV	DESCRIPTION	DATE	REV BY/CHK BY
PROJECT NAME: PROJ-NAME							
NDSTALGIA LUMINAIRE NL318R WITH LED							
DESIGNED BY	CHECKED BY	DATE	SCALE	ENG. REF.			
DGNR	EJM						
DRAWING-NUMBER	REVISION	SCALE	REVISION	REVISION	SCALE	ENG. REF.	REV BY/CHK BY

This document and the contents herein are proprietary and the property of Union Metal Corporation. This document is not to be copied, reproduced, or used for any reason except for the purposes which it was issued without the express written consent of Union Metal Corporation. Furthermore, Union Metal Corporation reserves the right to recall this document and all copies at any time for any reason.

POLYCARBONATE GLOBE ALABASTER RIPPLE FINISH I.E.S. TYPE II LIGHT DISTRIBUTION.

L450 CAST ALUMINUM FINIAL



LED LIGHT ENGINE WITH DRIVER LUMECODN #UAI 796-4060 ACORN, UAS, 4BLEDD XRC CDDL/NEUTRAL 8 BAR UTILIZING THE BASE PLATE MOUNTING SYSTEM, ATTACHED TO GLOBEHOLDER WITH (3) BRASS SCREWS. (1) GASKET BELOW LED ENGINE. DRIVER & ENGINE WIRED WITH QUICK DISCONNECT.

(2) CLOSED CELL EPDM GASKET ABOVE LED ENGINE FOR VIBRATION REDUCTION

(1) CLOSED CELL EPDM GASKET BELOW POWER PAK
ALUMINUM COMPRESSION RING AROUND GLOBE NECK AT SET SCREW LOCATION

(4) 1/4\"/>

4 1/2\"/>

(3) #10 AWG LEADS

NOTES:
1. GLOBEHOLDER & FINIAL POWDER COATED CITY OF CANTON CBD GREEN.
2. GLOBE STREET SIDE POSITIONED BETWEEN TWO LED BARS. STREET SIDE OF LUMINAIRE MARKED ON OUTSIDE OF GLOBEHOLDER.

STATE	STATE	REQ# / SO#	REQ	REV	DESCRIPTION	DATE	REV BY/CHK BY
PROJECT NAME: PROJ-NAME							
NDSTALGIA LUMINAIRE NL318R WITH LED							
DESIGNED BY	CHECKED BY	DATE	SCALE	ENG. REF.			
DGNR	EJM						
DRAWING-NUMBER	REVISION	SCALE	REVISION	REVISION	SCALE	ENG. REF.	REV BY/CHK BY

This document and the contents herein are proprietary and the property of Union Metal Corporation. This document is not to be copied, reproduced, or used for any reason except for the purposes which it was issued without the express written consent of Union Metal Corporation. Furthermore, Union Metal Corporation reserves the right to recall this document and all copies at any time for any reason.



OFFICE OF THE CITY ENGINEER
CANTON, OHIO

DANIEL J. MOEGLIN, P.E., CITY ENGINEER
2436 30th St. NE 44705 : 330-489-3381 : www.cantonohio.gov/engineering

APPROVED DATE: APRIL 2012

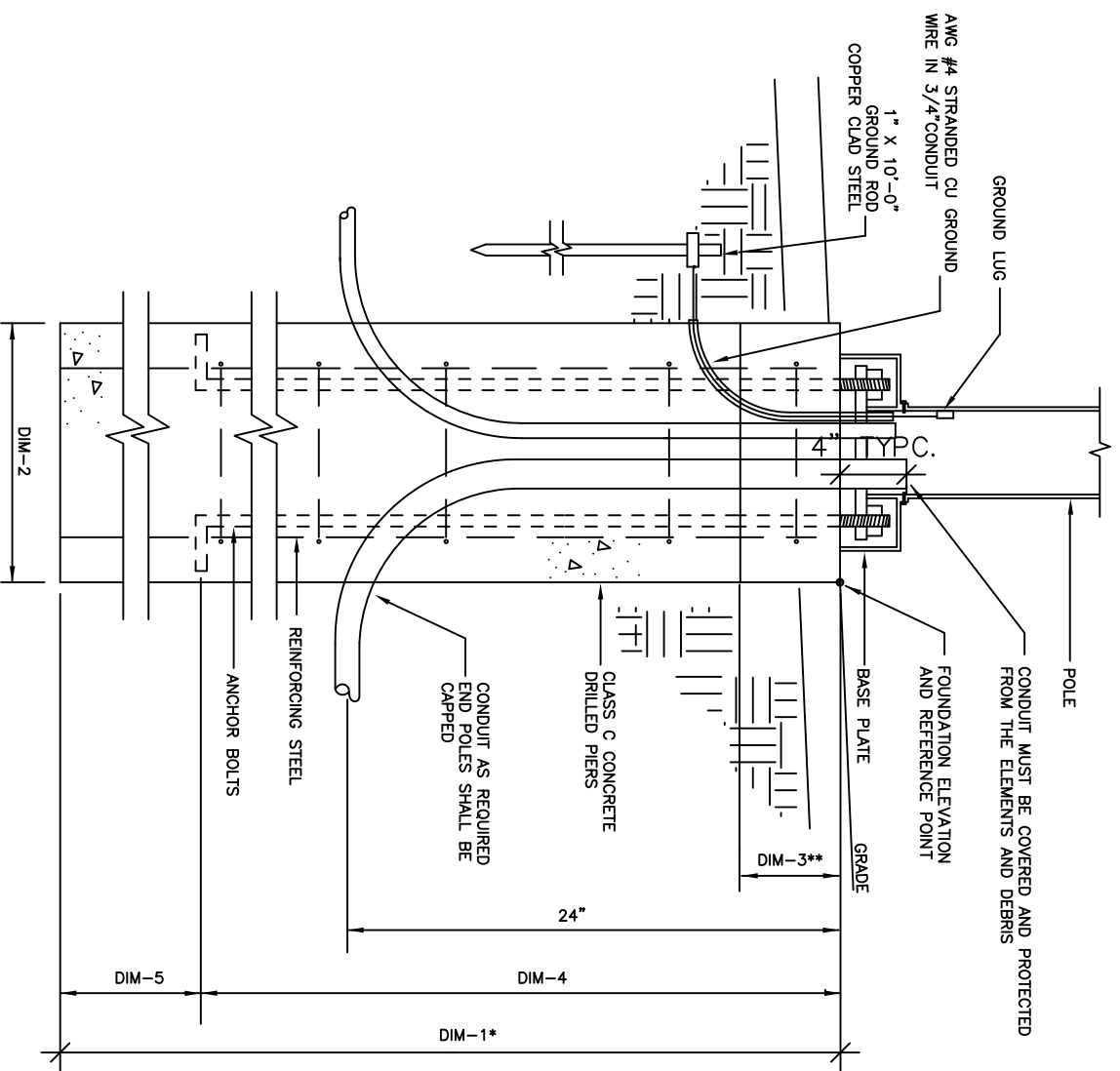
APPROVED BY: EEM

DRAWING FILE NAME:
ce_61-65_LIGHTPOLES.dwg

STANDARD DRAWING NO. 63

NOSTALGIA LIGHT POLE & LUMINAIRE

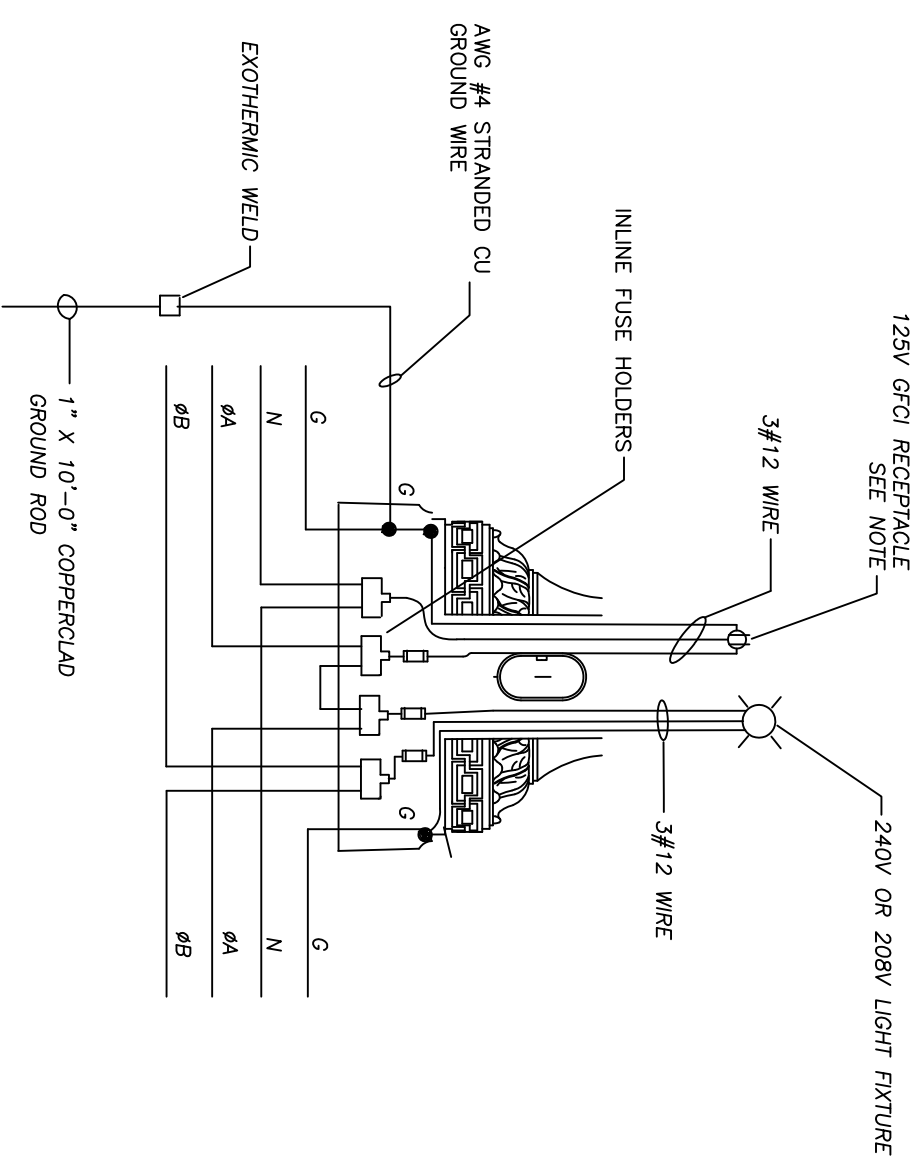
SHEET 1 OF 1



NOSTALGIC FOUNDATION DETAIL
NO SCALE

- NOTES:**
1. ALL FOUNDATIONS SHALL BE DRILLED PIERS TO AVOID DISTURBING SURROUNDING SOIL. A TEMPORARY STEEL CASING MAY BE REQUIRED. IF UTILITIES OR ANOTHER CONFLICT IS IN CLOSE PROXIMITY TO THE FOUNDATION, THEN THOSE FOUNDATIONS MAY HAVE TO BE EXCAVATED BY HAND.
 2. ANCHOR BOLT PATTERN SHALL BE PROVIDED BY POLE MANUFACTURER (U.M.C.).
 3. REINFORCING STEEL SHALL BE ASSEMBLED IN CAGES USING #4 TIES.
 4. FOUNDATION TOP SHALL BE ROUND AND LEVEL FOR DECORATIVE HOUSING.
- * MINIMUM DEPTH MAY VARY BASED ON SOIL CONDITION.
** ONLY APPLICABLE IN SIDEWALK AREAS.
- A. TUBE TO BE PLACED W/TOP AT LEAST 1" ABOVE PROJECTED FINISHED SIDEWALK GRADE.
 - B. FOUNDATION TO BE POURED TO A MIN. 8" BELOW PROJECT FINISHED SIDEWALK GRADE.
 - C. ONCE SIDEWALK IS PROVIDED AND/OR FINAL FINISHED GRADE ESTABLISHED, TUBE SHALL BE CUT TO PROPER ELEVATION AND FOUNDATION CAP POURED AND LEVELED WITHIN THE TUBE.
1. CUT AND REMOVE EXPOSED TUBE TO FINISHED GRADE AFTER CONCRETE IS CURED.

FOUNDATION	DIM-1*	DIM-2	DIM-3**	DIM-4	DIM-5
SIGNAL	9'-0"	36"	N/A	84"	24"
LUMINARIES	6'-0"	30"	8"	32"	40"
PEDESTRIAN	4'-0"	24"	8"	30"	18"



- NOTE:**
1. THE COST FOR WIRING TO ALL NOSTALGIA LUMINARIES AND RECEPTACLES SHALL BE INCIDENTAL TO THE NOSTALGIA BID ITEMS. ALL WIRING IN POLES AND CONDUITS TO LIGHTS AND RECEPTACLES SHALL BE THE RESPONSIBILITY OF THE CONTRACTOR.
 2. ALL WIRING INTO EACH NOSTALGIA POLE BASE SHALL BE NO. 6 AWG WIRE AND CONNECTED TO IN-LINE FUSE HOLDERS. THE COST FOR THIS WIRE SHALL BE INCIDENTAL TO THE NOSTALGIA BID ITEMS.
 3. IN-LINE FUSE HOLDERS SHALL BE BUSSMAN (HEB-AW-RYC). INSTALL FUSES IN PHASE LINES AND SOLID LINK IN NEUTRAL (HET-AW-RYC) FOR GROUND USE SPLIT BOLT CONNECTOR. COPPER GROUND CABLE SHALL BE EXOTHERMICALLY WELDED TO THE GROUND ROD. RUN CABLE FREE END THROUGH 3/4" EMT AND CONNECTED AS SHOWN IN THE POLE WIRING DIAGRAM. THE COST FOR THE IN-LINE FUSE HOLDERS AND ALL RELATED ITEMS SHALL BE INCIDENTAL TO THE NOSTALGIA BID ITEMS.
 4. THE POLE RECEPTACLE SHALL BE ALTERNATELY WIRED TO PHASE A AND PHASE B AS SHOWN IN THE POLE WIRING DIAGRAM.
 5. FOR LIGHTS, USE 5 AMP FUSES. FOR RECEPTACLES, USE 10 AMP FUSES. AMP RATINGS SHALL BE BASED UPON 75 DEGREE C RATINGS.
 6. UNLESS OTHERWISE NOTED IN THESE PLANS, ALL WIRING SHALL BE MINIMUM NO. 12 AWG, COPPER, 600 VOLT RATED WITH THE EXCEPTION OF NO. 14 AWG, COPPER SHALL BE PERMISSIBLE FOR CONTROL CIRCUITRY. THE FOLLOWING SHALL APPLY TO ALL WIRING:
 - A. ALL WIRING SHALL BE STRANDED "XHNN/XHWN".
 - B. UNDERGROUND BRANCH CIRCUIT WIRING SHALL BE "XHNV".



OFFICE OF THE CITY ENGINEER
CANTON, OHIO

DANIEL J. MOEGLIN, P.E., CITY ENGINEER
2436 30th St. NE 44705 : 330-409-3381 : www.cantonohio.gov/engineering

APPROVED DATE: DECEMBER 2013

APPROVED BY: EEM

DRAWING FILE NAME:
ce_61-65_LIGHTPOLES.dwg

REVISIONS

DESCRIPTION	DATE	BY

STANDARD DRAWING NO. 65
NOSTALGIC POLE FOUNDATION &
WIRING DIAGRAM
SHEET 1 OF 1

SUPPLEMENTAL SPECIFICATIONS

(73) **Project Submittals:** The following listed items are the full responsibility of the Contractor. These items become part of the administrative duties imposed upon this Contract. The Contractor shall be responsible for submitting all detail items prior to the contract Notice of Commencement, or as directed by the City's Project Manager. A typewritten letter shall accompany all items, on Company letterhead; clearly describe each item submitted. If Contractor elects to fax any documentation due to expediency, the Contractor will be responsible for submitting hard copy for project documentation. The City will reject any information not clearly legible. **Submit four copies of the project submittals.**

Contractor will clearly affix a label or stamp identifying the submittal and its status for project review. All actions other than "no exception taken" will require supporting notation or information for project review.

Allow at least 10 business days for City's review and execution. The City Project Manager shall assist the Contractor with any questions or clarification during this process to ensure timely response to the Contractor.

The City will not pay directly for the performance of the work listed. This work is a subsidiary obligation of the Contractor.

1. Shop Drawings
2. Preconstruction Video
3. Progress Schedule
4. Release Statement for Disposal of Excavated Material
5. Traffic Control Plan
6. Contractor and Subcontractor Emergency Contact List
7. Statements of Final Compliance

1. **Shop Drawings**

- a) Upon written request from the Engineer, the Contractor shall submit detailed drawings, acceptable catalog data, specification and material certifications for all materials and/or equipment specialized or required for the proper completion of the work.
- b) Shop Drawings shall be submitted in not less than four (4) copies to the Engineer.
- c) Shop Drawings shall be submitted in proper sequence of construction to cause no delay in the work. The Engineer shall be given ten (10) business days to review submittals. The Contractor's failure to transmit appropriate submittals to the Engineer sufficiently in advance of work shall not be grounds for time extension. Also, no work shall be performed requiring shop drawings until same have been approved by the Engineer.
- d) Each Shop Drawing shall be labeled with the following:
 1. Project Name Navarre Road Bridge and Sewer
 2. General Project Number (GP 1205)
 3. Name of Contractor

4. Name of Subcontractor (if applicable)
 5. Name and Address of Supplier and/or Manufacturer
 6. Log Reference Number
 - e) The Contractor is responsible for reviewing and approving all shop drawings prior to submittal. The Engineer's review shall not be construed as placing on himself any responsibility for the accuracy of said drawings.
2. **Preconstruction Video:** Prior to actual construction, the Contractor shall take video recording of the entire length and width of the work site.
- a) The Contractor shall notify the Engineering Department prior to scheduling the video recording of the site. A representative of the Engineering Department shall be present when the recording this video.
 - b) The video and audio recordings shall be on DVD or pre-approved alternative for replay. Contractor must submit alternative medium to the Engineer and approval received prior to scheduling.
 - c) The video portion shall have continuous time and date incorporated into it, locations and person(s) doing the work.
 - d) Audio comments during the recording must address each item in the field of view as it may pertain to the project construction. The recording technician will need to become familiar with the project plans to know what subject matter is pertinent. Further, contractor must incorporate a post recording review and audio comments into the recording.
 - e) Submitted copies of all recordings are the property of the Engineer. Contractor must submit the recording and be accepted in full by the Engineering Department prior to the start of construction.
3. **Progress Schedule:** The Contractor shall provide to the City, as mutually agreed upon at the Contract's Preconstruction meeting, a graphic progress schedule, which shall include the following:
- a) Progress schedule as a minimum to be prepared in **CRITICAL PATH METHOD FORMAT (CPM)**. The schedule shall be submitted, as a minimum, on 11" x 17" format for clarity and any necessary notations. Progress schedule shall include all work activities relative to the project, as further described in the Contract. Activities and rate of expected progress to secure completion as set forth in the Contract shall be shown on the schedule. Contractor to annotate any milestones that may be indicated in the Contract. Project completion date shall be clearly defined on the original schedule and all ensuing schedules provided.
 - b) Schedules shall be updated, as a minimum, every 30 days, or as agreed to by the City's Project Manager.
4. **Release Statement for Disposal of Excavated Materials**
- (a) The Contractor shall provide to the City a written consent statement from all property owners whose property is a landfill depository for all surplus or unsuitable excavated material from the project site.
 - (b) The Contractor shall follow ODOT 105.16 for specific guidelines and name the "City of

Canton” in lieu of “the Department” on all forwarded documents. The City requires a contract or permit that contains the language stating that the City is not party to the contract or permit, the material is not the City’s, and that the contractor and the property owner will hold the City harmless from claims that may arise from this contract or permit.

5. **Traffic Control Plan:** Contractor shall submit a graphical presentation or written document detailing the signage to be used and its location for maintenance of traffic. If traffic control will be performed in stages, submit a plan for each stage. Any proposed detours should be approved by the Engineer prior to plan submission.
6. **Contractor and Subcontractor Emergency Contact List:** Contractor shall submit to the Engineer, prior to commencing construction, a complete list of the Contractor’s personnel associated with the project. List should include name, title, and emergency contact phone numbers for each individual.
7. **Statements of Final Compliance:** The Contractor shall submit to the City the following documentation, in addition to the Project’s General Conditions. All submittals shall be completed and approved prior to the release of the final retainer.
 - a) Certificates of Substantial and Final Completion. Contractor shall submit in writing, the date on which work is substantially completed and upon Final Completion. Any deviation from the stated contract completion date to what is being submitted shall be explained further by the Contractor. The City, at their discretion, will further review this subject, as needed.
 - b) Final Waiver of Lien
Contractor shall furnish a written report indicating the resolution of any and all property damage claims filed with Contractor by any party during the contract period. The information shall include the name of claimant; date filed with Contractor; name of Insurance Company and/or Adjustor handling the claim; how the claim was resolved; if claim was not resolved for the full amount, a statement indicating the reason for such action. If there were no damage claims filed with the Contractor, then this shall be so stated in the report.

SPECIAL PROVISIONS

(78) These Special Provisions elaborate upon, clarify and amend some of the Specifications and clauses of the Contract documents; they are a part of the Contract documents and change and amend those found elsewhere only in the manner and to the extent stated.

Federal Government Participation:

An agency of the Government may be participating financially in this project. Attention is called to the various requirements of the Federal Government in connection with this contract, all of which are contained herein, and especially to those pertaining to Labor Standards and non-discrimination in employment.

Equal employment opportunity

The Contractor will comply with all provisions of Executive Order Number 11246 of September 24, 1965, and of rules, regulations, and relevant orders of the Secretary of Labor.

E.E.O. Requirements:

All bidders will be required to comply with the City Contract Compliance Program regarding equal employment opportunity. E.E.O. Booklet and Compliance Forms will be supplied to you by the Office of Neighborhood Development of the City of Canton, the completion of which is one of the contract requirements. This form must be satisfactorily completed and reviewed, and your company must be in compliance prior to the awarding of contracts. The Board of Control will not consider any awarding of contracts until the company is fully in compliance with the requirements of Section 507.03 (b) of the Canton City Code.

Chapter 507

Equal employment opportunity in public contracts

- 507.01 Definitions.
- 507.02 Administration of program.
- 507.03 Equal employment opportunity clause.
- 507.04 Contract compliance requirements.
- 507.05 Pre-award conference.
- 507.06 Project site reports.
- 507.07 Canton Hometown Plan.
- 507.08 Construction contracts involving the Canton Hometown Plan.
- 507.09 Exemptions for contracts not involving Canton Hometown Plan.
- 507.10 Intergovernmental cooperation.
- 507.11 Severability clause.

CROSS REFERENCES

Unlawful discriminatory practices - see Ohio R. C. 4112.02

Contracts - see ADM. Ch. 105

Unlawful interest in public contract - see GEN. OFF. 525.10

507.01 Definitions.

As used in this chapter, certain terms are defined as follows:

(a) “Discriminate” and “discrimination” means to distinguish, differentiate, separate or segregate solely on the basis of race, religion, color, sex or national origin.

(b) “Contractor” means any person, partnership, corporation, association or joint venture, and includes each and every subcontractor on such a contract and every supplier of equipment or supplies.

(c) “Subcontractor” means any person, partnership, corporation, association or joint venture which supplies any of the work, labor, services, supplies, equipment, materials or any combination of the foregoing under a contract with the contractor on a public contract.

(d) “Public Contract” means any contract awarded by the City whereby the City is committed to expend or does expend its funds in return for work, labor, services, supplies, equipment, materials or any combination of the foregoing, or any lease, lease by way of concession, concession agreement, permit or permit agreement whereby the City leases, grants or demises property of the City or otherwise grants a right or privilege to occupy or use property of the City.

(e) “Bidder” means any person, partnership, corporation, association or joint venture seeking to be awarded a public contract.

(f) “Construction contract” means any public contract for the construction, rehabilitation, alteration, conversion, extension or repair of buildings, streets or other improvements to real property. (Ord. 179-74. Passed 6-17-74.)

507.02 Administration of program.

The Executive Secretary of the City Fair Employment Practices Commission, hereinafter referred to as the Executive Secretary, with the assistance of the Director of Public Safety, shall administer and enforce the provisions of this chapter and shall adjust, promulgate and enforce rules and regulations relating to any matter or thing pertaining to the administration and enforcement of the provisions of this chapter. (Ord. 179-74. Passed 6-17-74.)

507.03 Equal employment opportunity clause.

(a) Except as provided in Sections 507.07 and 507.08, all public contracts hereinafter entered by the City in excess of one thousand five hundred dollars (\$1,500) shall incorporate an equal employment opportunity clause which shall read as follows:

(b) During the performance of this contract, the Contractor agrees as follows:

(1) The Contractor shall not discriminate against any employee or applicant for employment because of race, religion, color, sex or national origin. The Contractor shall take affirmative action to insure that applicants are employed and that employees are treated during employment

without regard to race, religion, color, sex or national origin. As used herein, the word “treated” shall mean and include without limitation the following: recruited, whether by advertising or other means; compensation, whether in the form of rates of pay or other forms of compensation; selected for training, including apprenticeship; promoted; demoted; upgraded; downgraded; transferred; laid off; and terminated. The Contractor agrees to and shall post in conspicuous places available to employees and applicants for employment notices to be provided by the contracting officers setting forth the provisions of this nondiscrimination clause.

(2) The Contractor shall, in all solicitations or advertisements for employees placed by or on behalf of the Contractor, state that all qualified applicants will receive consideration for employment without regard to race, religion, color, sex or national origin.

(3) The Contractor shall send to each labor union or representative of workers, with which he has a collective bargaining agreement or other contract or understanding, a notice advising the labor union or workers’ representative of the Contractor’s commitments under the equal opportunity clause of the City; and he shall post copies of the notice in conspicuous places available to employees and applicants for employment.

(4) The Contractor shall submit in writing to the City his affirmative action plan, and each subcontractor and supplier of equipment or supplies shall submit to the general contractor his affirmative action plan. The responsibility for securing these affirmative action plans falls upon the general contractor and shall be on file at the office of the general contractor. The Contractor shall furnish all information and reports required by the City or its representative pursuant to this chapter, and shall permit access to his books, records, and accounts by the contracting agency and by the Executive Secretary for purposes of investigation to ascertain compliance with the program.

(5) The Contractor shall take such action with respect to any subcontractor as the City may direct as means of enforcing the provisions of this equal opportunity clause, including penalties and sanctions for noncompliance; provided, however, that in the event the Contractor becomes involved in or is threatened with litigation as the result of such direction by the City, the City will enter into such litigation as is necessary to protect the interests of the City and to effectuate the City’s equal opportunity program and, in the case of contracts receiving Federal assistance, the Contractor or the City may request the United States to enter into such litigation to protect the interests of the United States.

(6) The Contractor shall file and shall cause his subcontractors, if any, to file compliance reports with the City in the form and to the extent prescribed by the City or its representative. Compliance reports filed at such times as directed shall contain information as to the employment practices, policies, programs and statistics of the Contractor and his subcontractors.

(7) The Contractor shall include the provisions of this equal employment opportunity clause in every subcontract or purchase order, so that such provisions will be binding upon each subcontractor or vendor.

(8) Refusal by the Contractor or subcontractor to comply with any portion of this program as herein stated and described will subject the offending party to any or all of the following penalties:

A. Withholding of all future payments under the involved public contract to the Contractor in violation, until it is determined that the Contractor or subcontractor is in compliance with the provisions of this contract.

B. Refusal of all future bids for any public contract with the City or any of its departments or divisions, until such time as the Contractor or subcontractor demonstrates that he has established and shall carry out the policies of the program as herein outlined.

C. Cancellation of the public contract and declaration of forfeiture of the performance bond.

D. In cases in which there is substantial or material violation or the threat of substantial or material violation of the compliance procedure or as may be provided by contract, appropriate proceedings may be brought to enforce these provisions, including the enjoining within applicable laws of contractors, subcontractors or other organizations, individuals or groups who prevent, directly or indirectly, or seek to prevent, directly or indirectly, compliance with the policy as herein outlined. (Ord. 179-74. Passed 6-17-74.)

507.04 Contract compliance requirements.

(a) All notices to prospective bidders published on behalf of the City shall include, as a part of the contract specifications, the condition that all bidders will be required to comply with the City Contract Compliance Program regarding equal employment opportunity. All reports required herein shall be submitted in duplicate to the department, division or other agency letting the contract.

(b) Each bidder shall file, as part of the bid documents, contract employment reports with the City contracting agency or as may be directed by the City or its representative. Such contract employment reports shall include such information as to the employment practices, policies, programs and statistics of the Contractor and shall be in such form as the City may prescribe. (Ord. 179-74. Passed 6-17-74.)

507.05 Pre-award conference.

Following receipt and review of the employment information submitted by the bidders and prior to the award of a contract, the apparent successful bidder and his known major subcontractors shall be required to attend a pre-award conference if called by the Executive Secretary, at which time such bidder and major subcontractors shall submit affirmative action programs to promote equal opportunity in employment. The Executive Secretary shall determine whether or not the apparent successful bidder has complied with this chapter and shall submit his determination and recommendation thereon to the Mayor, the director of the department or division involved and the Board of Control. In the event that a contractor did not comply under the terms of this chapter, he shall be afforded a hearing before the Mayor, the City Solicitor and the President of Council within ten days from the date that such contractor is notified of his noncompliance. (Ord. 179-74. Passed 6-17-74.)

507.06 Project site reports.

Subject to Sections 507.07 and 507.08, where a construction contract exceeds ten thousand dollars (\$10,000), a project site report shall be completed and submitted by the Contractor and any subcontractor not more than ninety days from the beginning of work on the site. Such project site report shall include such information as to the employment practices and statistics of the Contractor and each subcontractor and shall be in such form as the Executive Secretary may prescribe. Where the term of the contract exceeds ninety days, such project site report shall be submitted once every ninety days or more frequently if the Executive Secretary determines that such submittal is deemed necessary for continuing evaluation of the work force composition. Subcontractors shall complete and submit such project site reports to the Contractor for transmittal to the City. Post award reports shall be reviewed as one means of determining contract compliance. (Ord. 179-74. Passed 6-17-74.)

507.07 Canton Hometown Plan.

The Canton Hometown Plan which is composed of the East Ohio Building and Construction Trades Council, a coalition of employer associations consisting of the Ohio Contractors Association of East Central Ohio, other employers' groups and the Black Coalition of Canton is hereby adopted by reference and made a part hereof as though fully rewritten herein. (Ord. 179-74. Passed 6-17-74.)

507.08 Construction contracts involving the Canton Hometown Plan.

All construction contracts hereinafter entered by the City in excess of one thousand five hundred dollars (\$1,500) which involve contractors who are signatories and in compliance of the Canton Hometown Plan shall not be governed by the equal employment opportunity clause herein, but shall comply with the requirements and terms of the Canton Hometown Plan, providing the Canton Hometown Plan:

- (a) Is in full force and effect at the time of the contract;
- (b) Is approved by the proper Federal and/or State authorities; and
- (c) Through its administrative or executive committee on a regular basis beginning on September 1, 1974, files quarterly reports with the Executive Secretary.

In the event one or more of the conditions enumerated in subsections (a), (b) and (c) hereof are not in effect, or a contractor is not a signatory of the Canton Hometown Plan and in compliance herewith, at the time the construction contract is entered with the City as herein provided, such construction contracts shall be governed by the equal opportunity clause herein. (Ord. 179-74. Passed 6-17-74.)

507.09 Exemptions for contracts not involving Canton Hometown Plan.

All construction contract hereinafter entered by the City in excess of one thousand five hundred dollars (\$1,500), which involve contractors who are not signatories of the Canton Hometown Plan and have in their employ four or less persons, shall be exempted from the application of the equal employment opportunity clause provided herein. (Ord. 179-74. Passed 6-17-74.)

507.10 Intergovernmental cooperation.

In the event specific discriminatory practices are found to exist in the administration and enforcement of this chapter, in addition to the sanctions that may be imposed as provided by the terms of the contract, the City may forward all pertinent information to the appropriate Federal and State agencies. (Ord. 179-74. Passed 6-17-74.)

507.11 Severability clause.

Sections 507.01 through 507.10, inclusive, and each part of such sections are hereby declared to be independent sections and parts of sections; and notwithstanding any other evidence of legislative intent, it is hereby declared to be the controlling legislative intent that if any provisions of such sections or the application thereof to any person or circumstance is held invalid, the remaining sections or parts of sections and the application of such provision to any person or circumstances, other than those as to which it is held invalid, shall not be affected thereby. It is hereby declared that this chapter would have been passed independently of such sections, or parts of a section, so held to be invalid. (Ord. 179-74. Passed 6-17-74.)

§ Section 105 of City Codified Ordinances

105.01 CONSTRUCTION CONTRACTS

(a) Definitions- For purposes of this chapter, the following definitions shall apply:

(1) "Public contract" or "construction project" means either of the following:

A. Any new construction of any public improvement, the total overall project cost of which is estimated to be more than one hundred thousand dollars (\$100,000) and performed by other than full-time employees of the City who have completed their probationary periods in the classified service. Determination of project cost shall be subject to be the biennial increase or decrease provided for by Ohio R.C. 4115.034; or

B. Any construction, reconstruction, improvement, enlargement, renovation, alteration, repair, painting or decorating of any public improvement, which is estimated to be more than \$20,000.00 and performed by other than full-time employees of the City who have completed their probationary periods in the classified service. Determination of project cost shall be subject to the biennial increase or decrease provided for by Ohio R.C. 4115.034

(2) "Public improvement" includes all buildings, roads, streets, alleys, sewers, ditches, sewage disposal plants, water works and all other structures or works constructed by the City or by any person or entity, who, pursuant to a contract with the City, constructs any public improvement for the City. A public improvement shall be considered as one project where a review of the nature, scope and objective, as well as the interrelationship of time and purpose of the project, evidences the undertaking of a single public improvement pursuant to Ohio R.C. 4115.033 and O.A.C. 4101:9-4-17.

(3) "Local employee" means:

A. A person residing within the City of Canton or Stark County;

B. A person working for a contractor or from a pool of labor located within the City of Canton or Stark County; or

C. Due to the specialty nature of the employment to be performed, where a suitable person meeting either subsection (a)(3)A. or B. hereof is not available, a person residing or working within a location as close to Canton as is available. A "suitable person" means a person who is qualified to perform the work or trainable within a reasonable period of time.

(b) Project Labor Agreement

(1) In connection with the public bidding and contract awarding process for every proposed public contract or construction project, the Mayor, or his designee, shall evaluate whether a project labor agreement will advance the City's procurement interest in cost, efficiency, and quality while promoting labor-management stability as well as compliance with applicable legal requirements governing safety and health, equal employment opportunity, labor and employment standards, and other related matters.

(2) If the Mayor, or his designee, determines that a project labor agreement will serve the goals set forth above, the Mayor, or his designee, shall negotiate a project labor agreement with the East Central Ohio Building and

Construction Trades Council and its affiliated local unions, or said Council's successor.

(3) The bidding documents for each such construction project shall contain a written provision requiring the successful bidder to comply with and adhere to all of the provisions of any project labor agreement negotiated by the Mayor for the project.

(4) The City shall not thereafter enter into any contract with the successful bidder for the construction of any such city building unless the contract contains a provision requiring the successful bidder, and all of the bidder's contractors and subcontractors, to comply with and adhere to the provisions of the negotiated project labor agreement.

(5) If the Mayor, or his designee, with respect to any proposed construction project, determines that a project labor agreement will not serve the goals set forth in subsection (b)(1), the Mayor shall submit a written report to the Clerk of Council that shall state the reasons for concluding that a project labor agreement for the project will not substantially further the purposes of this section.

(c) Bids and Required Bidder Information. Upon Council approval, the Director of Public Service and/or Director of Public Safety shall advertise and accept bids for a construction project in accordance with the following procedures:

(1) Contracts shall be bid as follows:

A. An aggregate bid from a general contractor; or
B. Separate bids for work and materials from multiple prime contractors.

(2) Bidders for all proposed construction projects shall be required to furnish the following information:

A. The work, supplies and materials covered by the bidder's bid.
B. Identification of all work to be subcontracted. All subcontractors are also subject to the approval of the Board of Control based on the criteria contained in this section.

C. Descriptions of bidder's experience with projects of comparative size, complexity and cost within recent years, demonstrating the bidder's ability and capacity to perform a substantial portion of the project with its own forces.

D. Documentation from previous similar projects regarding timeliness of performance, quality of work, extension requests, fines and penalties imposed and payments thereof, liens filed, history of claims for extra work, contract defaults, together with explanations of the same.

E. The number of years the bidder has been actively engaged as a contractor in the construction industry.

F. The bidder's recent experience record in the construction industry, including the original contract price for each construction job undertaken by the bidder, the amount of any change orders or cost overruns on each job, the reasons for the change orders or cost overruns, and the bidder's record for complying with and meeting completion deadlines on construction projects.

G. Identification of any projects within the previous five years that the

bidder was determined by a public entity not to be a responsible bidder, the reasons given by the public entity, together with an explanation thereof.

H. Demonstration of financial responsibility to assure that the bidder possesses adequate resources and availability of credit, the means and ability to procure insurance and acceptable performance bonds required for the project and whether any claims have been made against performance bonds secured by the bidder on other construction projects.

I. Disclosure of any suspension or revocations of any professional license of any director, officer, owner, or managerial employees of the bidder, of the extent that any work to be performed is within the field of such licensed profession.

J. Disclosure of any and all OSHA violations within the previous three years, as well as all notices of OSHA citations filed against the bidder in the same three year period, together with a description and explanation of remediation or other steps taken regarding such violations and notices of violation.

K. Disclosure of any and all violations within the previous five years pertaining to unlawful intimidation or discrimination against any employee by reason of race, creed, color, disability, gender, or national origin and/or violation of any employee's civil or labor rights or equal employment opportunities.

L. Disclosure of any litigation (including copies of pleadings) in which the bidder has been named as a defendant or third party defendant in an action involving a claim for personal injury or wrongful death arising from performance of work related to any project in which it has been engaged within the previous five years.

M. Disclosure of allegations of violations of the prevailing wage law and any other state or federal labor law, including, but not limited to, child labor violations, failure to pay wages, or unemployment insurance tax delinquencies or unfair labor practices within the past five years.

N. Disclosure of violations of the workers compensation law.

O. Disclosure of any criminal convictions or criminal indictments, involving the bidder, its officers, directors, owners, and/or managers within the past five years.

P. Disclosure of any violation within the past five years or pending charges concerning federal, state, or municipal environmental and/or health laws, codes, rules and/or regulations.

Q. Documentation that the bidder provides health insurance and pension benefits to its employees.

R. The experience and the continuity of the bidder's work force.

S. The identity of the bidder's permanent work force that will be employed on the public contract, to include the number of employees (or contract labor) to be assigned to the contract, their city and state of residence, and their job descriptions or trade specialities.

T. The identity of any temporary work force that will be employed on the public contract, to include the number of employees (or contract labor) to be assigned to the contract, their city and state of residence, and their job

descriptions or trade specialities.

U. Whether the bidder's work force is drawn mainly from local employees. The number of local employees, as defined in paragraph (a)(3), and their job descriptions or trade specialities that the bidder will employ on the public contract.

V. When a bidder claims that non-local employees (or non-local contract labor) are to be assigned to the public contract instead of local employees, the reasons therefor.

W. When a bidder claims that local employees are not intended to be used by the bidder on the public contract because they are not available, qualified or trainable within a reasonable period of time, the reasons therefor.

X. Whether the bidder participates in a bona fide apprenticeship program that is approved by the Ohio State Apprenticeship Council and the United States Department of Labor.

Y. Whether the bidder has adopted and implemented a comprehensive drug and alcohol testing program for its employees.

Z. Whether the bidder's employees are OSHA-10 and/or OSHA-30 certified.

(d) Each factor enumerated in subsection (c)(2), standing alone, shall not be considered as determinative of the lowest and best bid. The City shall have complete discretion in assessing the level of importance to be placed upon any one or more of the factors enumerated and in determining the lowest and best bid and in awarding the construction contract.

(e) All bid invitations and specifications for construction, repair and renovation work shall advise prospective bidders of all of the factors that will be taken into consideration by the Board of Control in determining whether a bid is not only the lowest but the "best" bid. Bid specifications shall contain provisions conforming to this chapter, including a form or forms to enable a bidder to provide evidence to the Board of Control of the bidder's compliance with, adherence to, or satisfaction of, the various factors that shall be considered by the Board in determining the lowest and best bid.

(Ord. 86-2009. Passed 5-18-09.)

105.02 CONFORMANCE WITH LOCAL UNION PRACTICES

(EDITOR'S NOTE: This section was repealed by Ordinance 99-89, passed May 22, 1989.)

105.03 U.S. STEEL USAGE REQUIRED; EXCEPTION

All City contracts shall stipulate or provide that all steel necessary in the construction of any work performed under such contracts shall be steel that is produced in the United States unless a specific product which is required is not produced by manufacturers in the United States in which event this prohibition does not apply. This section shall apply to only contracts awarded by the Board of Control of the City. (Ord. 224-77. Passed 6-27-77.)

105.04 EMERGENCY CONTRACTUAL PROCEDURES

(a) Upon the occurrence of any emergency situation within City government that affects the health, safety and welfare of this City and which requires the immediate attention on the part of the executive members of City government, the appropriate City official, i. e. Mayor, Service Director or Safety Director, a written report shall be submitted to the Clerk of Council with a copy of this report to the Chairman of the Finance Committee and, if applicable, a copy to the chairman of any other committee of Council that normally will be charged with the responsibility of the subject matter of the emergency.

(b) Such written report and copy or copies shall be submitted to Council for the Council agenda for the next succeeding Council meeting, as long as the emergency did not exist seventy-two hours before the preceding meeting.

(c) The written report shall be placed on the Council agenda for the next succeeding Council meeting.

(d) Written reports shall to the extent possible:

- (1) Describe the nature of the emergency;
- (2) Provide the various alternatives being provided to correct the problem;
- (3) Name the appropriate department head charged with the responsibility of coping with the emergency;
- (4) Name contractors or persons who are being considered to undertake the responsibility of dealing with such an emergency;
- (5) Name the contractors or persons who are performing the work necessary to undertake the responsibility of dealing with the emergency;
- (6) Provide the estimate cost for such an undertaking if this information is available; and
- (7) Provide effort and time for the work to be performed by such contractors or persons if available, and other relevant information that is necessary to give Council the full picture and the process being used to determine the resolution of such emergency.

(e) Strict compliance of the foregoing on the part of those who may have to proceed with the remedy or repair of an emergency situation without prior legislative authority will be a substantial consideration on the part of Council in subsequently enacting the legislation to compensate the person who has undertaken such emergency work.

(f) Upon receipt of such written notice, the chairman of the Council committee(s) shall make reasonable efforts to come in contact with the City department director who has assumed the responsibility of coping with such emergency situation.

(g) The Board of Control is directed to notify and invite all contractors to enter their names on a list with the City if they wish to participate in handling work or supplying material for the City on an emergency basis. A copy of the contractors who will participate is to be registered with the Clerk of Council. (Res. 76-76. Passed 3-1-76.)

105.05 MATERIALS TO BE PURCHASED LOCALLY

In all future contracts for the construction of buildings, structures, or other improvements under the Capital Improvement Budget, the following clause shall be printed or typewritten on each contract:

It is the desire of the City of Canton that all materials used in the construction covered by this contract shall be purchased in the Canton area except such materials which are unavailable in the Canton area.

(Res. 49-77. Passed 2-7-77.)

105.06 MINORITY/WOMEN'S BUSINESS ENTERPRISE CONTRACT PROVISIONS

(a) All contracts with the City shall include the following clause:

The bidder agrees to expend at least \$ _____ of the Contract in the event the contract is awarded to such bidder for minority/women's business enterprises. For purposes of this pledge, the term "minority/women's business enterprise" means a bona fide business established as a sole proprietorship, partnership or corporation owned, operated and controlled by one or more minority persons or women who have at least fifty-one percent (51%) ownership. "Minority" includes African Americans, Asian/Pacific Islanders, Hispanic/Latino Americans and Native American Indians. The minority or woman must have operational and managerial control, interest in capital, and earnings commensurate with the percentage of ownership. Minority/women's business enterprises may be employed as construction contractors, subcontractors, vendors or suppliers.

(Ord. 185-2011. Passed 10-31-11.)

105.07 GRANT AND LOAN APPLICANT REQUIREMENTS

(a) No person, partnership, corporation and/or unincorporated association shall be eligible to receive any grant, loan from Community Development funds or tax incentive, whether administered directly by the Department of Development or indirectly through a program administered by a non-profit agency on behalf of the City, unless the applicant is paid in full or is current and not otherwise delinquent in the payment of any of the following:

(1) Any outstanding judgments, liens, grant or delinquent loan obligations owed to the City of Canton, any other municipality, township, county, state or federal governmental entity;

(2) Utility bills for water, sewer and sanitation services owed to the City of Canton;

(3) Income taxes (to include mandatory wage withholding by employers) owed to the City of Canton, any other municipality, township, county, state or federal governmental entity;

(4) Real estate taxes and assessments on any properties owned by the applicant;

(5) Personal property taxes owed to the Stark County Auditor and/or

State of Ohio; or

(6) Any outstanding loans, grants, subsidies or other entitlements received from any federal or state funded Housing and Community Development program.

(b) The applicant shall be required to provide to the City of Canton a notarized statement averring that the applicant is paid in full or is current and not otherwise delinquent in the payment of the obligations listed in subsections (a) (1 - 6).

(c) Falsification of such statement shall result in cancellation of any grant or loan received, and the applicant shall be required to refund any grant or loan funds received.

(d) Council may waive or modify the requirements of this section as applied to a particular applicant if in the interest of justice, and upon consideration of the surrounding circumstances, such waiver or modification is deemed reasonably necessary by Council.

(e) Under any Community Development program in which the combined household income of all members is calculated for the purpose of determining income eligibility of the applicant, no applicant shall be eligible to receive any grant or loan from the Department of Development if any co-applicant or other member of the same household is delinquent in the payment of any of the categories listed in subsection (a) hereof.

(f) Notwithstanding the above, this section shall not apply to any individual, partnership, corporation or incorporated association seeking assistance under a HOME Repair or Emergency Shelter program grant, at the time of the application.

(g) No partnership, corporation or unincorporated association which has as one of its partners, shareholders or owners, any person who is a twenty percent (20%) or greater equity owner in such partnership, corporation or unincorporated association and who is delinquent in any of the categories listed in subsection (a) hereof, shall be eligible for the award of any grant or loan. No person who is a twenty percent (20%) or greater equity owner in any partnership, corporation or unincorporated association which is delinquent in any of the items listed in subsection (a) hereof shall be eligible for the award of any grant or loan.

(h) The Department of Development and any other department which may hereinafter or presently administer the awarding of grants and loans to applicants under any program shall establish guidelines and screen applicants consistent with the foregoing requirements. All City Departments shall comply with the requests of the Department of Development and any other department for information which are made pursuant to this section.

(i) The Department of Development, for programs within its administration and authority, may waive or modify the requirements of this section, under appropriate surrounding circumstances, where a strict interpretation of this section would not further the established goals of the Department.

(Ord. 205-2010. Passed 11-8-10.)

105.08 CAPITAL IMPROVEMENT PROJECTS (REPEALED)

EDITOR'S NOTE: Former Section 105.08 was repealed by Ordinance 86-2009.

105.09 NOTICE AND BIDDING REQUIRED, WHEN

Contracts for the purchase of material, equipment, supplies or services, other than professional or personal services as defined in Section 105.10, which are purchased, leased or constructed at a cost in excess of twenty thousand dollars (\$20,000), and which require bidding pursuant to Ohio R.C. 735.05 through 735.09, and 737.03, shall first be approved by Council, and the contract shall be made with the lowest and best bidder after advertisement for not less than two or more than four consecutive weeks in a newspaper of general circulation within the City.

(Ord. 224-89. Passed 10-2-89; Ord. 52-99. Passed 3-29-99; Ord. 240-2005. Passed 11-21-05.)

105.10 PROFESSIONAL OR PERSONAL SERVICES CONTRACTS

All professional or personal service contracts entered into by any official on behalf of the City shall first be approved and authorized by Council where the contract exceeds fifteen thousand dollars (\$15,000). A professional service or personal service supplier shall be defined as an individual who possesses professional expertise or a specialized skill in the service area, which expertise or skill may vary from one supplier to another. Professional or personal services shall include, but not be limited, to the following: legal, medical, psychological, counseling, accounting, auditing, engineering, architectural, insurance and banking services. A professional or personal service contract shall be considered as one contract where a review of the nature, scope and objective, as well as the interrelationship of time and purpose of the services to be provided under the contract, evidences the undertaking of a single project.

(Ord. 224-89. Passed 10-2-89; Ord. 52-99. Passed 3-29-99.)

105.11 STATE COOPERATIVE PURCHASING WITH ADMINISTRATIVE SERVICES

(a) The City hereby requests authority pursuant to Ohio R.C. 125.04 to participate in State contracts which the Department of Administrative Services, Office of State Purchasing, has entered into for the purchase of supplies, services, equipment and certain materials.

(b) The City hereby agrees to all contract terms and conditions which the Department of Administrative Services, Office of State Purchasing, may prescribe. Such terms and conditions may include a reasonable fee to cover the administrative costs which the Department may incur as a result of the City's participation in contracts.

(c) The Director of Public Service and the Director of Public Safety are hereby authorized to act as the City's authorized agents for the purpose of executing contracts pursuant to the Cooperative Purchasing Act and the City agrees to directly pay vendors under such State contracts in which it participates for items received pursuant to contracts under this program. (Ord. 9-92. Passed

I-27-92.)

(d) The Director of Public Service and the Director of Public Safety may purchase supplies or services from another party, including another political subdivision, instead of through participation in contracts described in subsection (c) hereof if the Director can purchase those supplies or services from the other party upon equivalent terms, conditions, and specifications but at a lower price than the Director can through the Cooperative Purchasing Act. Purchases that a Director makes under this section are exempt from any competitive selection procedures otherwise required by law. A Director who makes any purchase under this section shall maintain sufficient information regarding the purchase to verify that the City satisfied the conditions for making a purchasing under this section.

(Ord. 52-99. Passed 3-29-99.)

105.12 LOCAL BIDDER PREFERENCE

(a) The Board of Control, in determining the lowest and best bidder in the award of contracts, is authorized to award contracts to local bidders as hereinafter defined, whose bid is not more than ten percent (10%) higher, subject to a maximum amount of one hundred thousand dollars (\$100,000.00), than the lowest dollar bid submitted by non-local bidders, provided that the project bid does not exceed ten percent (10%) of the engineer's estimate. The Board of Control's decision in making such an award shall be final.

(Ord. 86-2009. Passed 5-18-09.)

(b) For purposes of this section, "local bidder" means an individual or business entity which at the time of the award of the contract:

(1) Is a resident of the City and/or has its principal place of business in the City; and

(2) Which has filed a City of Canton "Resident" Income Tax Return for the past two tax years.

(c) All contract specifications and/or bid documents that are distributed by Canton for the purpose of soliciting bids for goods and/or services shall contain the following notice:

Prospective bidders will take notice that the City of Canton, in determining the lowest and best bidder in the award of this contract, may award a local bidder preference to any qualified bidder pursuant to Section 105.12 of the Codified Ordinances of the City of Canton. The determination of whether a bidder qualifies for the local preference shall be made by Board of Control. The Board's decision shall be final. A copy of City Code Section 105.12 is attached.

(Ord. 112-97. Passed 6-2-97.)

(d) This section shall be applicable to all contracts for the purchase of material, equipment, supplies or services, which are purchased, leased or constructed at a cost in excess of twenty thousand dollars (\$20,000) and which require bidding pursuant to Ohio R.C. 735.05 through 735.09 and Ohio R.C. 737.03.

(Ord. 112-97. Passed 6-2-97; Ord. 52-99. Passed 3-29-99; Ord. 240-2005. Passed 11-21-05.)

105.13 STATE COOPERATIVE PURCHASING WITH ODOT

(a) The City hereby requests authority pursuant to Ohio R.C. 5513.01 to participate in State contracts which the Ohio Department of Transportation has entered into for the purchase of supplies, services, equipment and certain materials without competitive bidding.

(b) The City hereby agrees to all contract terms and conditions which the Ohio Department of Transportation may prescribe. Such terms and conditions may include a reasonable fee to cover the administrative costs which the Ohio Department of Transportation may incur as a result of the City's participation in contracts.

(c) The Director of Public Service and the Director of Public Safety are hereby authorized to act as the City's authorized agents for the purpose of executing contracts pursuant to the Cooperative Purchasing Act and the City agrees to directly pay vendors under such State contracts in which it participates for items received pursuant to contracts under this program. (Ord. 175-93. Passed 9-13-93.)

(d) The Director of Public Service and the Director of Public Safety may purchase supplies or services from another party, including another political subdivision, instead of through participation in contracts described in subsection (c) hereof if the Director can purchase those supplies or services from the other party upon equivalent terms, conditions and specifications but at a lower price than the Director can through the Cooperative Purchasing Act. Purchases that a Director makes under this section are exempt from any competitive selection procedures otherwise required by law. A Director who makes any purchase under this section shall maintain sufficient information regarding the purchase to verify that the City satisfied the conditions of making a purchase under this section.

(Ord. 52-99. Passed 3-29-99.)

105.14 CHANGE ORDERS TO CONTRACTS

(a) Change orders are amendments to contracts to provide for alterations or modifications of the scope and/or cost of the original contract. A proposed amendment to a contract which is outside the general scope of the original contract does not constitute a change order, but is rather a proposal for a new and separate contract which requires independent contractual authority and bidding, if applicable.

(b) The Director of Public Service and the Director of Public Safety are hereby authorized, without approval of Council, to approve and enter into change orders which do not in the aggregate exceed:

- (1) Ten percent (10%) of the total authorized original contract price; or
- (2) \$100,000.00, whichever is less.

This authority is subject to the availability of funding. Change orders shall additionally require approval of the Board of Control.

(c) Change orders in excess of the aggregate amounts set forth in subsection (b) hereof shall require approval of Council. The above stated

limitations may be amended by Council in any legislation providing for any contract or in any subsequent amending ordinance. (Ord. 31- 2000. Passed 2-14-00.)

ADDITIONAL REQUIREMENTS AND/OR CONDITIONS

- A. Notwithstanding any provisions to contrary, Ohio Law shall govern this Agreement.
- B. Supplier agrees that Canton's specifications and bid documents shall incorporate and made part of any subsequent contract entered by the parties. Further, the terms, conditions and provisions found in Canton's specifications and bid documents shall supersede and control any subsequent contract provisions to the contrary.
- C. Once both parties have fully executed the contract, said contract shall be binding upon the parties' heirs, successors and assigns.
- D. Supplier shall not assign or transfer any interest under this agreement without the express written consent of Canton.
- E. Supplier agrees to indemnify and hold harmless the City of Canton, Ohio, its employees and agents from and against all demands, claims, causes of action, or judgments or omissions by Supplier, its agents, employees or subcontractors. Nothing herein shall be construed to hold Supplier liable for Canton's negligence.
- F. Supplier's liability to the City of Canton for default shall not be limited and the City if Canton shall be entitled to all damages permitted under Ohio law upon Supplier's breach, default or non-performance under this Agreement.
- G. A waiver of a breach of any of the terms or conditions of the contract will not be construed as a waiver of any subsequent breach. Any consent to delay in the performance of contractor of any obligation shall be applicable only to the particular transaction to which it relates, and it shall not be applicable to any other obligation or transaction. Delay in the enforcement of any remedy in the event if a breach of any term or condition of the contract or in the exercise by either party of any right under the contract shall not be construed as a waiver.
- H. When, during the course of construction, it appears to the contractor that any work does not conform to the provisions of the contract documents, it will make necessary corrections so that such work will conform. Additionally, the Contractor will correct any defects caused by faulty materials, equipment or workmanship in work supervised by the Contractor or by a subcontractor. This shall apply to the Contractor or any subcontractor appearing within one year from the date of issuance of a certificate of substantial completion or within such longer periods as prescribed by law or by applicable special guarantees or warranties in the contract documents.
- I. The owner reserves the right to order work changes in the nature of additions, deletions, or modifications, without invalidating the contract, and agrees to make corresponding adjustments in the contract price and time of termination if necessary. The Owner will authorize all changes by a written change order signed by the owner, or the architect of other designee of the owner. The change order will include conforming changes in the contract and termination time.
- J. Work changed, and the contract price and termination time modified only as set out in the written change order. Any adjustment in the contract sum resulting in a credit or a charge to the owner will be determined by mutual agreement of the parties before starting any work involved in the change work.

NOTICE OF WITHDRAWAL

PLEASE NOTE THAT BY SUBMITTING YOUR BID(S) TO THE CITY OF CANTON, THE CITY ASSUMES THAT SAID BID(S) HAS/HAVE BEEN REVIEWED BY AN AUTHORIZED REPRESENTATIVE OF YOUR COMPANY TO ASSURE THAT THE BID(S) IS/ARE CORRECT AND/OR ACCURATE.

ANY BIDDER MAY WITHDRAW THE BID(S), BY WRITTEN REQUEST, AT ANY TIME PRIOR TO THE HOUR SET FOR THE BID OPENING.

IF THERE IS NO WITHDRAWAL OF THE BID(S), IN ACCORDANCE WITH THE ABOVE PROCEDURE, THE CITY RESERVES THE RIGHT TO ENFORCE SAID BID PRICE(S) AND/OR CONTRACT.

ARTICLES OF INCORPORATION

UNLESS THE BIDDER SUBMITS, WITH ITS BID, THE “ARTICLES OF INCORPORATION” SHOWING EXACTLY WHAT NAME YOU ARE INCORPORATED UNDER WITH THE STATE OF OHIO, CANTON MEY REQUEST THE BIDDER PROVIDE THIS INFORMATION.

THE ARTICLES OF INCORPORATION ARE THE DOCUMENTS FILED WITH THE STATE (OHIO OR OTHERWISE) CREATING THE CORPORATE ENTITY.

APPENDIX

A

Prevailing Wages

This project will utilize Ohio Prevailing Wage Rates.

APPENDIX A

AFFIDAVIT OF COMPLIANCE

PREVAILING WAGES

I _____,
(Name of person signing affidavit) (Title)

do hereby certify that the wages paid to all employees of the _____
(Company Name)

for all hours worked on the _____
(Project and Location)

project, during the period from _____ to _____
(Project Dates)

are in compliance with State prevailing wage requirements.

I further certify that no rebates or deductions have been or will be made, directly or indirectly, from any wages paid in connection with this project, other than those provided by law.

(Signature of Officer or Agent)

Sworn to and subscribed in my presence this _____ day of _____, 20 _____.

(Notary Public)

The above affidavit must be executed and sworn to by the officer or agent of the Contractor or Subcontractor who supervises the payment of employees. This affidavit must be submitted to the owner (public authority) before the surety is released or final payment due under the terms of the Contract is made.

Special Calculation Note : No special calculations for this skilled craft wage rate are required at this time.

Ratio :

3 Journeymen to 1 Apprentice
per company/project

Jurisdiction (* denotes special jurisdictional note) :

ADAMS, ALLEN, ASHLAND, ASHTABULA, ATHENS, AUGLAIZE, BELMONT, BROWN, BUTLER, CARROLL, CHAMPAIGN, CLARK, CLERMONT, CLINTON, COLUMBIANA, COSHOCTON, CRAWFORD, DARKE, DEFIANCE, DELAWARE, ERIE, FAIRFIELD, FAYETTE, FRANKLIN, FULTON, GALLIA, GREENE, GUERNSEY, HAMILTON, HANCOCK, HARDIN, HARRISON, HENRY, HIGHLAND, HOCKING, HOLMES, HURON, JACKSON, JEFFERSON, KNOX, LAWRENCE, LICKING, LOGAN, LORAIN, LUCAS, MADISON, MAHONING, MARION, MEDINA, MEIGS, MERCER, MIAMI, MONROE, MONTGOMERY, MORGAN, MORROW, MUSKINGUM, NOBLE, OTTAWA, PAULDING, PERRY, PICKAWAY, PIKE, PORTAGE, PREBLE, PUTNAM, RICHLAND, ROSS, SANDUSKY, SCIOTO, SENECA, SHELBY, STARK, SUMMIT, TRUMBULL, TUSCARAWAS, UNION, VAN WERT, VINTON, WARREN, WASHINGTON, WAYNE, WILLIAMS, WOOD, WYANDOT

Special Jurisdictional Note :

Details :

** Asphalt - Oil spray bar man when operating from cab shall receive \$0.20 cents per hour above their Basic Hourly Rate.

Prevailing Wage Rate Skilled Crafts

Name of Union: Operating Engineers - HevHwy II

Change # : LCN01-2013fbLoc18hevhwyl

Craft : Operating Engineer Effective Date : 08/07/2013 Last Posted : 08/07/2013

	BHR	Fringe Benefit Payments						Irrevocable Fund		Total PWR	Overtime Rate
		H&W	Pension	App Tr.	Vac.	Annuity	Other	LECET (*)	MISC (*)		
Classification											
Operator Class 1	\$31.54	\$6.91	\$6.00	\$0.60	\$0.00	\$0.00	\$0.04	\$0.00	\$0.00	\$45.09	\$60.86
Class 2	\$31.42	\$6.91	\$6.00	\$0.60	\$0.00	\$0.00	\$0.04	\$0.00	\$0.00	\$44.97	\$60.68
Class 3	\$30.38	\$6.91	\$6.00	\$0.60	\$0.00	\$0.00	\$0.04	\$0.00	\$0.00	\$43.93	\$59.12
Class 4	\$29.20	\$6.91	\$6.00	\$0.60	\$0.00	\$0.00	\$0.04	\$0.00	\$0.00	\$42.75	\$57.35
Class 5	\$23.74	\$6.91	\$6.00	\$0.60	\$0.00	\$0.00	\$0.04	\$0.00	\$0.00	\$37.29	\$49.16
Class 6	\$31.79	\$6.91	\$6.00	\$0.60	\$0.00	\$0.00	\$0.04	\$0.00	\$0.00	\$45.34	\$61.24
Class 7	\$31.79	\$6.91	\$6.00	\$0.60	\$0.00	\$0.00	\$0.04	\$0.00	\$0.00	\$45.34	\$61.24
Class 8	\$32.04	\$6.91	\$6.00	\$0.60	\$0.00	\$0.00	\$0.04	\$0.00	\$0.00	\$45.59	\$61.61
Great Lakes Floating Agreement											
Class 1	\$38.70	\$6.66	\$5.75	\$0.60	\$0.00	\$0.00	\$0.04	\$0.00	\$0.00	\$51.75	\$71.10
Class 2A	\$37.20	\$6.66	\$5.75	\$0.60	\$0.00	\$0.00	\$0.04	\$0.00	\$0.00	\$50.25	\$68.85
Class 2B	\$37.20	\$6.66	\$5.75	\$0.60	\$0.00	\$0.00	\$0.04	\$0.00	\$0.00	\$50.25	\$68.85
Class 3	\$33.10	\$6.66	\$5.75	\$0.60	\$0.00	\$0.00	\$0.04	\$0.00	\$0.00	\$46.15	\$62.70
Class 4	\$27.55	\$6.66	\$5.75	\$0.60	\$0.00	\$0.00	\$0.04	\$0.00	\$0.00	\$40.60	\$54.38
Apprentice											
	Percent										
1st Year	50.00	\$15.77	\$6.91	\$6.00	\$0.60	\$0.00	\$0.04	\$0.00	\$0.00	\$29.32	\$37.21
2nd Year	60.00	\$18.92	\$6.91	\$6.00	\$0.60	\$0.00	\$0.04	\$0.00	\$0.00	\$32.47	\$41.94
3rd Year	70.00	\$22.08	\$6.91	\$6.00	\$0.60	\$0.00	\$0.04	\$0.00	\$0.00	\$35.63	\$46.67
4th Year	80.00	\$25.23	\$6.91	\$6.00	\$0.60	\$0.00	\$0.04	\$0.00	\$0.00	\$38.78	\$51.40
Field Mech Trainee Class 2											
1st year	49.80	\$15.71	\$6.91	\$6.00	\$0.60	\$0.00	\$0.04	\$0.00	\$0.00	\$29.26	\$37.11

2nd year	59.75	\$18.85	\$6.91	\$6.00	\$0.60	\$0.00	\$0.00	\$0.04	\$0.00	\$0.00	\$32.40	\$41.82
3rd year	69.73	\$21.99	\$6.91	\$6.00	\$0.60	\$0.00	\$0.00	\$0.04	\$0.00	\$0.00	\$35.54	\$46.54
4th year	79.70	\$25.14	\$6.91	\$6.00	\$0.60	\$0.00	\$0.00	\$0.04	\$0.00	\$0.00	\$38.69	\$51.26

Special Calculation Note : Other: Education & Safety Fund is \$0.04 per hour.

Ratio :

For every (3) Operating Engineer Journeymen employed by the company , there may be employed (1) Registered Apprentice. An apprentice, while employed as part of a crew per Article VIII paragraph 65, will not be subject the apprenticeship ratios in this collective bargaining agreement. On jobs where maintenance engineers are to be employed, for every (2) Class 2 Mechanics there may be (1) Mechanic Trainee & so fourth. Mechanic Trainee rate is a percentage of Class 2 rate.

Jurisdiction (* denotes special jurisdictional note) :

ADAMS, ALLEN, ASHLAND, ATHENS, AUGLAIZE, BELMONT, BROWN, BUTLER, CARROLL, CHAMPAIGN, CLARK, CLERMONT, CLINTON, COSHOCTON, CRAWFORD, DARKE, DEFIANCE, DELAWARE, FAIRFIELD, FAYETTE, FRANKLIN, FULTON, GALLIA, GREENE, GUERNSEY, HAMILTON, HANCOCK, HARDIN, HARRISON, HENRY, HIGHLAND, HOCKING, HOLMES, HURON, JACKSON, JEFFERSON, KNOX, LAWRENCE, LICKING, LOGAN, LUCAS, MADISON, MARION, MEIGS, MERCER, MIAMI, MONROE, MONTGOMERY, MORGAN, MORROW, MUSKINGUM, NOBLE, OTTAWA, PAULDING, PERRY, PICKAWAY, PIKE, PREBLE, PUTNAM, RICHLAND, ROSS, SANDUSKY, SCIOTO, SENECA, SHELBY, STARK, TUSCARAWAS, UNION, VAN WERT, VINTON, WARREN, WASHINGTON, WAYNE, WILLIAMS, WOOD, WYANDOT

Special Jurisdictional Note :

Details :

**Apprentices will receive a 10% increase on top of the percentages listed above provided they are operating mobile equipment. Mechanic Trainees will receive 10% increase if they are required to have CDL.

Class 1 - Air Compressors on Steel Erection; Barrier Moving Machine; Boiler Operators, on Compressors or Generators, when mounted on a rig; Cableways, Combination Concrete mixers & Towers; Concrete Pumps; Concrete Plants (over 4 yd capacity); Cranes (all types, including Boom Trucks, Cherry Pickers); Derricks; Draglines, Dredgers (dipper, clam or suction); Elevating Graders or Euclid Loaders; Floating Equipment (all types); Gradalls, Helicopter Crew (Operator- hoist or winch); Hoes (all types); Hoisting Engines, on shaft or tunnel work; Hydraulic Gantry (lifting system); Industrial - Type Tractors; Jet Engine Dryers (D8 or D9), Diesel Tractors; Locomotives (standard gage); Maintenance Operators (class A); Mixers, paving (single or double drum); Mucking Machines; Multiple Scrapers; Piledriving Machines (all types); Power Shovels, Prentice Loader;

Quad 9 (double pusher); Rail Tamper (with automatic lifting and aligning device); Refrigerating Machines (freezer operation); Side Booms; Slip Form Pavers; Tower Dericks; Tree Shredders; Truck Mounted Concrete Pumps; Tug Boats; Tunnel Machines and /or Mining Machines; Wheel Excavators. Rough Terrain Fork-lift with Winch/Hoist; Compact Cranes, track rubber over 4,000 pound capacity, self-erecting cranes; stationary, track or truck (all configurations) Bucket trench machines (over 24 inches wide).

Class 2 - Asphalt Pavers; Automatic Subgrade Machines, self-propelled (CMI-type); Bobcat-type and /or skid steer loader with hoe attachment greater than 7000 lbs.; Boring Machine Operators (more than 48 inches); Bulldozers; Endloaders; Hydro Milling Machine; Kolman-type Loaders (production type-dirt); Lead Greasemen; Maintenance Operators, Class B (Portage and Summit Counties only); Pettibone-Rail Equipment; Power Graders; Power Scrapers; Push Cats; Lighting and Traffic Signal Installation Equipment includes all groups or classifications; Trench Machines (24inch wide and under); Vermeer Type Concrete saw. Material Transfer Equipment (Shuttle buggy) Asphalt; All rotomills,grinders and planers of all types. Horizontal Directional Drill (Over 50,000 ft.lbs.thrust and over)

Class 3 - A-Frames; Air Compressors, on tunnel work (low Pressure); Asphalt Plant Engineers; Bobcat-type and/or skid steer loader with or without attachments; Power Boilers (15 lbs pressure and over); Highway Drills (all types); Rollers, asphalt; Pump Operators (installing or operating well Points); Pumps (4 inch and over discharge); Railroad Tie Inserter/Remover; Rotator (lime-soil Stabilizer), Switch & Tie Tampers (without lifting and aligning device); Locomotives (narrow gage); Mixers, concrete (more than one bag capacity); Mixers, one bag capacity (side loader); Utilities Operators, (small equipment); Welding Machines; Material hoist/elevators. Articulating/straight bed end dumps if assigned (minus \$4.00 per hour).

Class 4 -Ballast Re-locator; Backfillers, Batch Plants; Bar and Joint Installing Machines; Boring Machine Operators (48 inch or less); Bull Floats; Burlap and Curing Machines; Concrete Plants (capacity 4 yd and under); Conveyors (highway); Concrete Saws (multiple); Crushers; Deckhands; Farm type tractors, with attachments (highway), except masonry; Finishing Machines; Firemen, Floating Equipment (all types); Fork Lifts (highway); Form Trenchers; Hydro Hammers; Hydro Seeders; Pavement Breakers; Plant Mixers; Post Drivers; Post Hole Diggers (power auger); Power Brush Burners; Power Form Handling Equipment; Road Widening Trenchers; Rollers (brick, grade, macadam); Self-Propelled Power Spreaders; Self-Propelled Sub-Graders; Tractors, pulling sheepsfoot rollers or graders; Steam Firemen; Vibratory Compactors, with integral power.

Class 5 - Compressors (portable, Sewer, Heavy and Highway); Generators; Inboard-Outboard Motor Boat Launches; Masonry Fork Lifts; Oilers/Helpers; Power Driven Heaters; Power Scrubbers; Power Sweepers; Pumps (under 4 inch discharge); Signalmen; Drum Fireman (in Asphalt Plant); Oil Heaters (Asphalt Plant); Tire Repairmen; VAC/ALLS; Fueling and greasing (plus \$3.00), compact cranes: track or rubber under 4,000 pounds.

Class 6 - Master Mechanic

Class 7 - Crane Boom 150 ft - 180 ft

Class 8 - Crane Boom over 180 ft .

GREAT LAKES FLOATING AGREEMENT:

Class 1 - Diver, Wet Tender, Engineer, (Hyd. Dredge), Craft Foreman (Master Mechanic)

Class 2A - Crane Backhoe Operator, Mechanic/Welder, Assistant Engineer (Hyd. Dredge), Leverman (Hyd Dredge) Diver Tender, Tug Operator (Tug 70T and over)

Class 2B - Friction Crane, Lattice Boom or any Crane Certification.

Class 3 - Deck Equipment Operator, (Machineryman), Maint. of Crane, Tug/Launch Operator, Loader/Dozer on Barge, Deck Machinery, Maintenance of Crane (over 50T capacity), or Backhoe (115,000lbs or more) Loaders/Dozer and like equipment on Barge, Breakwater Wall, Slip/Dock Scow.

Class 4 - Deck Equipment Operator, (Machineryman/Fireman)(4 equipment Units or more), Deck Hand, Tug Engineer, Crane Maintenance, 50T and under/Backhoe 115,000lbs or less, Assistant Tug Operator, add off Road Truck.

PORTAGE, SANDUSKY, STARK, SUMMIT,
TRUMBULL, WOOD

Special Jurisdictional Note : Hod Carriers and Common Laborers - Heavy, Highway, Sewer, Waterworks, Utility, Airport, Railroad, Industrial and Building Site, Sewer Plant, Waste Water Treatment Facilities Construction

Details :

Group 1

Laborer (Construction); Plant Laborer or Yardman, Right-of-way Laborer, Landscape Laborer, Highway Lighting Worker, Signalization Worker, (Swimming) Pool Construction Laborer, Utility Man, Bridge Man, Handyman, Joint Setter, Flagperson, Carpenter Helper, Waterproofing Laborer, Slurry Seal, Seal Coating, Surface Treatment or Road Mix Laborer, Riprap Laborer & Grouter, Asphalt Laborer, Dump Man (batch trucks), Guardrail & Fence Installer, Mesh Handler & Placer, Concrete Curing Applicator, Scaffold Erector, Sign Installer, Hazardous Waste (level D), Diver Helper, Zone Person and Traffic Control.

Group 2

Asphalt Raker, Screwman or Paver, Concrete Puddler, Kettle Man (pipeline), All Machine-Driven Tools (Gas, Electric, Air), Mason Tender, Brick Paver, Mortar Mixer, Skid Steer, Sheeting & Shoring Person, Surface Grinder Person, Screedperson, Water Blast, Hand Held Wand, Power Buggy or Power Wheelbarrow, Paint Striper, Plastic fusing Machine Operator, Rodding Machine Operator, Pug Mill Operator, Operator of All Vacuum Devices Wet or Dry, Handling of all Pumps 4 inches and under (gas, air or electric), Bottom Person, Welder Helper (pipeline), Concrete Saw Person, Cutting with Burning Torch, Pipe Layer, Hand Spiker (railroad), Underground Person (working in sewer and waterline, cleaning, repairing and reconditioning). Tunnel Laborer (without air), Caisson, Cofferdam (below 25 feet deep), Air Track and Wagon Drill, Sandblaster Nozzle Person, Hazardous Waste (level B), Lead Abatement, Hazardous Waste (level C)

Group 3

Blast and Powder Person, Muckers (with miners), Wrencher (mechanical joints & utility pipeline), Yarnier, Top Lander, Hazardous Waste (level A), Concrete Specialist, Curb Setter and Cutter, Concrete Crew in Tunnels. Utility pipeline Tappers, Waterline, Caulker, Signal Person, Grade Checker

Group 4

Miner, Welder, Gunitite Nozzle Person

4 Journeymen to 1 Apprentice
1 Journeymen to 1 Apprentice, spinning of cable
for suspension bridge
1 Journeymen to 1 Apprentice, ornamental work
2 Journeymen to 1 Apprentice, reinforcing work
***the ratio of apprentices to journeymen may be
adjusted higher on a job-to job basis with the
approval of the business manager and/or business
agent.

ASHLAND, CARROLL, COLUMBIANA*,
COSHOCTON, HOLMES*, HURON,
MAHONING*, MEDINA*, PORTAGE*,
RICHLAND, STARK, SUMMIT*,
TUSCARAWAS, WAYNE

Special Jurisdictional Note : The jurisdictional line between Local 17 and Local 550 is determined as follows: All territory North of Old Route 224 line to be within the jurisdiction of Local 17. All territory South of Old Route 224 line is to be the jurisdiction of Local 550, except for everything within the City limits of Barberton which shall be under the jurisdiction of Local 17.

Details :

Prevailing Wage Rate Skilled Crafts

Name of Union: Electrical Local 71 Outside Utility Power

Change # : LCN01-2013fbLoc7

Craft : Lineman Effective Date : 01/16/2013 Last Posted : 01/16/2013

	BHR	Fringe Benefit Payments						Irrevocable Fund		Total PWR	Overtime Rate
		H&W	Pension	App Tr.	Vac.	Annuity	Other	LECET (*)	MISC (*)		
Classification											
Electrical Lineman	\$35.38	\$5.00	\$1.06	\$0.35	\$0.00	\$7.08	\$0.15	\$0.00	\$0.00	\$49.02	\$66.71
Substation Technician	\$35.38	\$5.00	\$1.06	\$0.35	\$0.00	\$7.08	\$0.15	\$0.00	\$0.00	\$49.02	\$66.71
Cable Splicer	\$37.02	\$5.00	\$1.11	\$0.37	\$0.00	\$7.40	\$0.15	\$0.00	\$0.00	\$51.05	\$69.56
Operator A	\$31.82	\$5.00	\$0.95	\$0.32	\$0.00	\$6.36	\$0.15	\$0.00	\$0.00	\$44.60	\$60.51
Operator B	\$28.22	\$5.00	\$0.85	\$0.28	\$0.00	\$5.64	\$0.15	\$0.00	\$0.00	\$40.14	\$54.25
Operator C	\$22.86	\$5.00	\$0.69	\$0.23	\$0.00	\$4.57	\$0.15	\$0.00	\$0.00	\$33.50	\$44.93
Groundman 0-12 months Exp	\$17.69	\$5.00	\$0.53	\$0.18	\$0.00	\$3.54	\$0.15	\$0.00	\$0.00	\$27.09	\$35.94
Groundman 0-12 months Exp w/CDL	\$19.46	\$5.00	\$0.58	\$0.19	\$0.00	\$3.89	\$0.15	\$0.00	\$0.00	\$29.27	\$39.00
Groundman 1 yr or more	\$19.46	\$5.00	\$0.58	\$0.19	\$0.00	\$3.89	\$0.15	\$0.00	\$0.00	\$29.27	\$39.00
Groundman 1 yr or more w/CDL	\$23.00	\$5.00	\$0.69	\$0.23	\$0.00	\$4.60	\$0.15	\$0.00	\$0.00	\$33.67	\$45.17
Equipment Mechanic A	\$28.23	\$5.00	\$0.85	\$0.28	\$0.00	\$5.65	\$0.15	\$0.00	\$0.00	\$40.16	\$54.28
Equipment Mechanic B	\$25.55	\$5.00	\$0.77	\$0.26	\$0.00	\$5.11	\$0.15	\$0.00	\$0.00	\$36.84	\$49.62

Equipment Mechanic C	\$22.86	\$5.00	\$0.69	\$0.23	\$0.00	\$4.57	\$0.15	\$0.00	\$0.00	\$33.50	\$44.93	
Line Truck w/uuger	\$25.18	\$5.00	\$0.76	\$0.25	\$0.00	\$5.04	\$0.15	\$0.00	\$0.00	\$36.38	\$48.97	
Apprentice	Percent											
1st 1000 hrs	60.00	\$21.23	\$5.00	\$0.63	\$0.21	\$0.00	\$4.25	\$0.15	\$0.00	\$0.00	\$31.47	\$42.08
2nd 1000 hrs	65.00	\$23.00	\$5.00	\$0.69	\$0.23	\$0.00	\$4.60	\$0.15	\$0.00	\$0.00	\$33.67	\$45.17
3rd 1000 hrs	70.00	\$24.77	\$5.00	\$0.74	\$0.25	\$0.00	\$4.95	\$0.15	\$0.00	\$0.00	\$35.86	\$48.24
4th 1000 hrs	75.00	\$26.54	\$5.00	\$0.80	\$0.27	\$0.00	\$5.31	\$0.15	\$0.00	\$0.00	\$38.07	\$51.33
5th 1000 hrs	80.00	\$28.30	\$5.00	\$0.85	\$0.28	\$0.00	\$5.66	\$0.15	\$0.00	\$0.00	\$40.24	\$54.40
6th 1000 hrs	85.00	\$30.07	\$5.00	\$0.90	\$0.30	\$0.00	\$6.01	\$0.15	\$0.00	\$0.00	\$42.43	\$57.47
7th 1000 hrs	90.00	\$31.84	\$5.00	\$0.96	\$0.32	\$0.00	\$6.37	\$0.15	\$0.00	\$0.00	\$44.64	\$60.56

Special Calculation Note :

Operator "A"

John Henry Rock Drill, D-6 (or equivalent) and above, Trackhoe Digger, (320 Track excavator), Cranes (greater then 25 tons and less than 45 tons).

Operator "B"

Cranes (greater than 6 tons and up to 25 tons), Backhoes, Road Tractor, Dozer up to D-5, Pressure Digger- wheeled or tracked, all Tension wire Stringing equipment.

Operator "C"

Trench, Backhoe, Riding type vibratory Compactor, Ground Rod Driver, Boom Truck (6 ton & below), Skid Steer Loaders, Material Handler.

Ratio :

(1) Journeyman Lineman to (1) Apprentice

Jurisdiction (* denotes special jurisdictional note) :

ADAMS, ASHLAND, ASHTABULA, ATHENS, AUGLAIZE, BELMONT, BROWN, BUTLER, CARROLL, CHAMPAIGN, CLARK, CLERMONT, CLINTON, COLUMBIANA, COSHOCTON, CRAWFORD, CUYAHOGA, DARKE, DELAWARE, FAIRFIELD, FAYETTE, FRANKLIN, GALLIA, GEAUGA, GREENE, GUERNSEY, HAMILTON, HARRISON, HIGHLAND, HOCKING, HOLMES, JACKSON,

JEFFERSON, KNOX, LAKE, LAWRENCE,
LICKING, LOGAN, LORAIN, MADISON,
MAHONING, MARION, MEDINA, MEIGS,
MERCER, MIAMI, MONROE,
MONTGOMERY, MORGAN, MORROW,
MUSKINGUM, NOBLE, PERRY, PICKAWAY,
PIKE, PORTAGE, PREBLE, RICHLAND,
ROSS, SCIOTO, SHELBY, STARK, SUMMIT,
TRUMBULL, TUSCARAWAS, UNION,
VINTON, WARREN, WASHINGTON, WAYNE

Special Jurisdictional Note : 0.15 is for Health Retirement Account.

Details :

Heli - Arc Welding will be paid \$.30 above Journeyman rate. Additional compensation of 10% over the Journeyman Lineman and Journeyman Technician for performing work on structures outside of buildings such as water towers, smoke stacks, radio and television towers, more than 75' above the ground.

Prevailing Wage Rate Skilled Crafts

Name of Union: Electrical Local 71 Outside (North Central Ohio)

Change # : LCN01-2013fbLoc71CentralOhio

Craft : Lineman Effective Date : 01/16/2013 Last Posted : 01/16/2013

	BHR	Fringe Benefit Payments						Irrevocable Fund		Total PWR	Overtime Rate
		H&W	Pension	App Tr.	Vac.	Annuity	Other	LECET (*)	MISC (*)		
Classification											
Electrical Lineman	\$33.50	\$5.00	\$1.01	\$0.34	\$0.00	\$5.70	\$0.00	\$0.00	\$0.00	\$45.55	\$62.30
Traffic Signal & Lighting Journeyman	\$32.25	\$5.00	\$0.97	\$0.32	\$0.00	\$5.48	\$0.00	\$0.00	\$0.00	\$44.02	\$60.14
Equipment Operator	\$30.15	\$5.00	\$0.90	\$0.30	\$0.00	\$5.13	\$0.00	\$0.00	\$0.00	\$41.48	\$56.55
Groundman 0-12 months	\$18.43	\$5.00	\$0.55	\$0.18	\$0.00	\$3.13	\$0.00	\$0.00	\$0.00	\$27.29	\$36.50
Groundman 1 year plus	\$21.78	\$5.00	\$0.65	\$0.22	\$0.00	\$3.70	\$0.00	\$0.00	\$0.00	\$31.35	\$42.24
Traffic Signal Apprentices											
1st 1,000 hours	\$19.35	\$5.00	\$0.58	\$0.19	\$0.00	\$3.29	\$0.00	\$0.00	\$0.00	\$28.41	\$38.09
2nd 1,000 hours	\$20.96	\$5.00	\$0.63	\$0.21	\$0.00	\$3.56	\$0.00	\$0.00	\$0.00	\$30.36	\$40.84
3rd 1,000 hours	\$22.58	\$5.00	\$0.68	\$0.23	\$0.00	\$3.84	\$0.00	\$0.00	\$0.00	\$32.33	\$43.62
4th 1,000 hours	\$24.19	\$5.00	\$0.73	\$0.24	\$0.00	\$4.11	\$0.00	\$0.00	\$0.00	\$34.27	\$46.37
5th 1,000 hours	\$25.80	\$5.00	\$0.77	\$0.26	\$0.00	\$4.39	\$0.00	\$0.00	\$0.00	\$36.22	\$49.12
6th 1,000 hours	\$29.03	\$5.00	\$0.87	\$0.29	\$0.00	\$4.94	\$0.00	\$0.00	\$0.00	\$40.13	\$54.64
Apprentice Lineman	Percent										

1st 1,000 Hours	60.00	\$20.10	\$5.00	\$0.60	\$0.20	\$0.00	\$3.42	\$0.00	\$0.00	\$0.00	\$29.32	\$39.37
2nd 1,000 Hours	65.00	\$21.78	\$5.00	\$0.65	\$0.22	\$0.00	\$3.70	\$0.00	\$0.00	\$0.00	\$31.34	\$42.23
3rd 1,000 Hours	70.01	\$23.45	\$5.00	\$0.70	\$0.23	\$0.00	\$3.99	\$0.00	\$0.00	\$0.00	\$33.37	\$45.10
4th 1,000 Hours	75.01	\$25.13	\$5.00	\$0.75	\$0.25	\$0.00	\$4.27	\$0.00	\$0.00	\$0.00	\$35.40	\$47.96
5th 1,000 Hours	80.00	\$26.80	\$5.00	\$0.80	\$0.27	\$0.00	\$4.56	\$0.00	\$0.00	\$0.00	\$37.43	\$50.83
6th 1,000 Hours	85.01	\$28.48	\$5.00	\$0.85	\$0.28	\$0.00	\$4.84	\$0.00	\$0.00	\$0.00	\$39.45	\$53.69
7th 1,000 Hours	90.00	\$30.15	\$5.00	\$0.90	\$0.30	\$0.00	\$5.13	\$0.00	\$0.00	\$0.00	\$41.48	\$56.56

Special Calculation Note : Other is National Electrical Benefit Fund (NEBF) and Safety & Education Fund.

Ratio :

1 Journeymen to 1 Apprentice

Jurisdiction (* denotes special jurisdictional note) :

BELMONT, CARROLL, HARRISON, HOLMES, JEFFERSON, MEDINA, PORTAGE, STARK, SUMMIT, WAYNE

Special Jurisdictional Note :

Details :

A groundman when directed shall assist a Journeyman in the performance of his/her work on the ground, including the use of hand tools. A Groundman under no circumstances shall climb poles, towers, ladders, or work from an elevated platform or bucket truck.

Scope of Work: installation and maintenance of highway and street lighting, highway and street sign lighting, electronic message boards and traffic control systems, camera systems, traffic signal work, substation and line construction including overhead and underground projects for private and industrial work as in accordance with the IBEW Constitution. This Agreement includes the operation of all tools and equipment necessary for the installation of the above projects.

Details :

(A) Highway Construction, Sewer, Waterworks And Utility Construction, Industrial & Building Site, Heavy Construction, Airport Construction Or Railroad Construction Work.

(B) Power Plant, Tunnels, Amusement Park, Athletic Stadium Site Work ,Pollution Control,Sewer Plant, Waste Plant, & Water Treatment Facilities, Construction.

Details :

(A) Highway Construction, Sewer, Waterworks And Utility Construction, Industrial & Building Site, Heavy Construction, Airport Construction Or Railroad Construction Work.

(B) Power Plant, Tunnels, Amusement Park, Athletic Stadium Site Work ,Pollution Control,Sewer Plant, Waste Plant, & Water Treatment Facilities, Construction.

Prevailing Wage Rate Skilled Crafts

Name of Union: Truck Driver Bldg & HevHwy Class 2
Locals 20,40,92,92b,100,175,284,438,377,505,637,908,957

Change # : CN1-2011BldgHevHwy

Craft : Truck Driver **Effective Date :** 06/29/2011 **Last Posted :** 06/29/2011

	BHR	Fringe Benefit Payments						Irrevocable Fund		Total PWR	Overtime Rate
		H&W	Pension	App Tr.	Vac.	Annuity	Other	LECET (*)	MISC (*)		
Classification											
Truck Driver CLASS 2	\$23.20	\$6.81	\$5.70	\$0.10	\$0.00	\$0.00	\$0.00			\$35.81	\$47.41
Tractor											
Trailer-Semi											
Tractor											
Trucks-Pole											
Trailers-Ready Mix											
Trucks-Fuel											
Trucks-Asphalt-Oil											
Spray bar											
men- 5 Axle & Over -Belly											
Dumps-End											
Dumps-Articulated											
Dump Trucks-Low boys-											
Heavy duty											
Equipment (irrespective of load carried) when used exclusively for transportation-											
Truck											
Mechanics (when needed)											

Apprentice	Percent										
First 6 months	80.00	\$18.56	\$6.81	\$5.70	\$0.10	\$0.00	\$0.00	\$0.00		\$31.17	\$40.45
7-12 months	85.00	\$19.72	\$6.81	\$5.70	\$0.10	\$0.00	\$0.00	\$0.00		\$32.33	\$42.19
13-18 months	90.00	\$20.88	\$6.81	\$5.70	\$0.10	\$0.00	\$0.00	\$0.00		\$33.49	\$43.93
19-24 months	95.00	\$22.04	\$6.81	\$5.70	\$0.10	\$0.00	\$0.00	\$0.00		\$34.65	\$45.67
25-30 months	100.00	\$23.20	\$6.81	\$5.70	\$0.10	\$0.00	\$0.00	\$0.00		\$35.81	\$47.41

Special Calculation Note : No special calculations for this skilled craft wage rate are required at this time.

Ratio :

3 Journeymen to 1 Apprentice per company/project

Jurisdiction (* denotes special jurisdictional note) :

- ADAMS, ALLEN, ASHLAND, ASHTABULA, ATHENS, AUGLAIZE, BELMONT, BROWN, BUTLER, CARROLL, CHAMPAIGN, CLARK, CLERMONT, CLINTON, COLUMBIANA, COSHOCTON, CRAWFORD, DARKE, DEFIANCE, DELAWARE, ERIE, FAIRFIELD, FAYETTE, FRANKLIN, FULTON, GALLIA, GREENE, GUERNSEY, HAMILTON, HANCOCK, HARDIN, HARRISON, HENRY, HIGHLAND, HOCKING, HOLMES, HURON, JACKSON, JEFFERSON, KNOX, LAWRENCE, LICKING, LOGAN, LORAIN, LUCAS, MADISON, MAHONING, MARION, MEDINA, MEIGS, MERCER, MIAMI, MONROE, MONTGOMERY, MORGAN, MORROW, MUSKINGUM, NOBLE, OTTAWA, PAULDING, PERRY, PICKAWAY, PIKE, PORTAGE, PREBLE, PUTNAM, RICHLAND, ROSS, SANDUSKY, SCIOTO, SENECA, SHELBY, STARK, SUMMIT, TRUMBULL, TUSCARAWAS, UNION, VAN WERT, VINTON, WARREN, WASHINGTON, WAYNE, WILLIAMS, WOOD, WYANDOT

Special Jurisdictional Note :

Details :

** Asphalt - Oil spray bar man when operating from cab shall receive \$0.20 cents per hour above

their Basic Hourly Rate.

APPENDIX

B

Bid Forms

Bid Form 1

AUTHORITY OF BID SIGNATORY

The bidder shall indicate which of the following is the source of the bid signatory's authority to sign the bid on behalf of the bidder. The bidder shall follow the instructions noted.

- _____ The party bidding is a sole partnership. Below the signature affixed on the Proposal Sheet, a sole proprietorship's owner shall write "sole owner" or "doing business as (name of bidder)".

- _____ The party bidding is a partnership and the party signing is one of the partners. Below the signature affixed on the proposal sheet, a signatory for a partnership shall write "member of the firm".

- _____ The party is a corporation. The party signing is authorized to sign on behalf of the corporation. A copy of the resolution of the corporation's board of directors which delegates signatory authority to the individual signing is to be attached to this bid form. This resolution can be a general delegation of authority for signing bids or can be a specific authorization for this project. The secretary of the corporation shall authenticate the resolution as currently being in full force and effect.

- _____ Signatory authority is evidenced by other means noted below:

Bid Form 2

INSERT BID GUARANTY HERE

Each proposal shall be accompanied by a bid guarantee which shall consist of one of the following:

Ohio Statutory Bid Guaranty and Contract Bond must be substantially in the form prescribed by ORC 153.571. The 153.571 statutory bond forms require that the penal amount be an amount not less than the bid price. It is a bid error to write in an amount equal to ten percent (10%) of the amount bid.

NOTE: Make a certified check or cashier's check in an amount not less than ten percent (10%) of the total amount bid for all items of the proposal. Such a bid guarantee check shall be made payable to the OWNER without condition.

Bidders using the Ohio Statutory Bid Guaranty and Contract Bond Form can leave the penal amount blank, if such is acceptable to the bidder and the surety. The statutory bond form, per ORC 153.571, the penal amount equal to the price bid, if the amount is left blank.

In case a bidder to whom a contract award is made shall fail to execute and secure a contract within ten (10) days after notice of award in writing, the award shall be vacated and the bid guarantee, in an amount not to exceed ten percent (10%) of the amount bid, forfeited.

An approved surety company must provide bid Bond. This company must be authorized to transact business in the State of Ohio and with local agent. Agents of bonding companies shall be licensed to conduct business in the State of Ohio and have a local (Ohio) agent. Each bid shall contain the power of attorney, bearing the seal of the company and evidencing such agent's authority to execute the documents furnished. Identification of the local agent is to accompany each Bond.

The surety used for the bid bond shall be listed in the current edition of the U.S. Treasury Circular 570 and the Penal Sums shall be within the maximum specified for such company in said Circular 570.

2. Form of Business Organization.

____ Corporation

____ Partnership

____ Other

3. The bidder shall provide the names and addresses of all persons interested as principals (officers, partners, and associates) in this proposal. Write first name in full, and give titles for offices.

_____	_____
_____	_____
_____	_____
_____	_____

All of the above, including the signatory to this bid, are citizens of the United States, except the following. (Provide names and addresses of those not a citizen of the United States.)

_____	_____
_____	_____
_____	_____
_____	_____

4. Name and address of other person, firms or companies interested in this contract.

_____	_____
_____	_____
_____	_____
_____	_____

The undersigned certifies that the bidder has the facilities, ability and financial resources available for the fulfillment of the contract if such be awarded to said bidder.

Upon request, the bidder will be expected to amplify the foregoing statements as necessary to satisfy the OWNER concerning his ability to successfully perform the work in a satisfactory manner.

Signed this _____ day of _____, 20 _____.

Contractor

By _____
(Signature of individual, partner or officer signing the proposal.)

Please have this page Notarized

Bid Form 4

PROJECT REFERENCES

Each bidder shall provide a list of comparable projects performed over the last three (3) years (maximum of 10) indicating the following:

- Owner (with name, address and telephone number of Owner's project manager).
- General description of work, and size and type of project. Also indicate whether participation was as a prime or subcontractor. If the bidder's participation on the project was as a subcontractor, identify prime contractor with information requested above for the OWNER.

All previous work for the OWNER over the last five (5) years should be identified.

INSURANCE AFFIDAVIT

Each bidder shall obtain from its insurance representative and include in the bid submittal an insurance affidavit that contains the representations noted below. Make the affidavit on the insurance agency's letterhead, reference this project by name, and state at least the following:

- (1.) The representative has reviewed and understands the insurance requirements (including the cancellation/non-renewal provisions) set forth in "General Conditions" § 1.14 Insurance.
- (2.) The representative certifies that the company will provide the specified insurance should the contract be awarded to the contractor on whose behalf the certificate is being provided.
- (3.) The names and A.M. Best Company ratings of companies required to provide the required insurance.

You must have the insurance affidavit notarized.

“General Conditions” INSURANCE § 1.14

- A. The following standard indemnity agreement and minimum insurance requirements are incorporated in the Specifications for all work performed by the Contractor for the Owner, its affiliated and associated organizations or subsidiaries, hereinafter referred to as Owner.
 - I. The Contractor agrees to indemnify and save the Owner harmless from and against any and all costs, loss and expense, liability damages, or claims for damages, including cost for defending any action, on account of any injury to persons (including death) or damage to or destruction of property of the Owner, arising or resulting from the work provided for or performed, or from any act, omission, or negligence of the Contractor, Subcontractor and his or their agents or employees. The foregoing provisions shall in no way be deemed released, waived or modified in any respect by reason of any insurance or surety provided by the Contractor.

- II. The Contractor shall maintain insurance of the kinds and in amounts specified in the attached schedule and furnish the Service Director with Certificates of Insurance as evidence thereof in the prescribed form. If any work provided for or to be performed under any Specifications is sublet (as otherwise permitted by the terms of such Specifications), the Contractor shall require the sub-contractors to maintain and furnish him with satisfactory evidence of Workmen's Compensation, Employers' Liability and such other forms and amounts of insurance which Contractor deems reasonably adequate.
- III. In accordance with Item II, the Contractor shall maintain the following insurance:
1. Workmen's Compensation and Employer's Liability
Insurance affording,
 - (a) protection under the Workmen's Compensation Law in the State of Ohio.
 - (b) Employer's Liability protection subject to a minimum limit of \$100,000.00.

 2. Commercial General Liability Insurance in amounts not less than:

General Aggregate Limit	\$2,000,000.00
Products - Completed Operations Aggregate Limit	\$2,000,000.00
Personal and Advertising Injury Limit	\$1,000,000.00
Each Occurrence Limit	\$1,000,000.00
Fire Damage Limit	\$50,000.00
Medical Expense Limit	\$5,000.00

This insurance shall:

- a. include coverage for the liability assumed by Contractor under Item I (Indemnity);

- b. not to be subject to any of the special property damage liability exclusions commonly referred to as the XCU exclusions pertaining to blasting or explosion, collapse or structural damage and underground property;

- c. not be subject to any exclusion of property used by the insured or property in the care, custody or control of the insured or property as to which the insured for any purpose is exercising physical control unless the required Builders Risk or Installation Floater coverage is indicated

on the required Certificate of Insurance (Item III.4);

- d. and the Certificates of Insurance furnished by the Contractor shall show by specific reference that each of the foregoing items have been provided for.
- e. **INCLUDE THE CITY OF CANTON, OHIO AND ITS AGENTS, AS ADDITIONAL INSURED FOR PURPOSES OF COVERAGE UNDER THE SUBJECT POLICY.**

3. Comprehensive Automobile Liability Insurance in the following minimum amounts:

Bodily Injury and Property Damage any one accident or loss:	\$1,000,000.00
--	----------------

4. The contractor will provide and maintain Installation/Builders Risk Insurance to protect the interests of both the contractor and the owner for materials transported to the job, stored or installed on the premises, or stored at any temporary location off premises. Such insurance shall be written on an "All Risk" form to include the perils of Fire, Extended Coverage, Vandalism, Malicious Mischief, Theft, Collapse and Water Damage. The amount of Insurance shall be 100% of the insurable value of the work performed. It should include all items of labor and materials incorporated therein, materials in storage, on or off the job site, scheduled for use in completing the work, and such other supplies and equipment incidental to the work as are not owned or rented by the contractor, the cost of which is included in the direct cost of the work. This Insurance shall not cover any tools, derricks, machinery, tar buckets, ladders, engines, workmen's quarters, boilers, pumps, wagons, scaffolds, forms, compressors, shanties or other items owned or rented by the Contractor, the cost of which is not included in the direct cost of the work.

- B. The Certificates of Insurance furnished by the Contractor as evidence of the Insurance maintained by him shall include a clause obligating the Contractor to give the Service Director ten (10) days prior written notice for cancellation or any material change in the insurance.

are the only party or parties interested with the party making this bid in the profits of any contract which may result from the herein contained proposal; that the said proposal is made without any connection or interest in the profits thereof with any other person making any other bid or proposal for said work; that no member of the City of Canton, head of any department or bureau or employee therein or any official or officer of City of Canton, is directly or indirectly interested therein; that said proposal or bid is genuine and not collusive or sham; that said bidder has not colluded, conspired, connived, or agreed, directly or indirectly, with any bidder or person, to put in a sham bid, or that such person shall refrain from bidding, and has not in any manner, directly or indirectly, sought by agreement or collusion, or communication or conference, with any person, to fix the bid price of affiant or any other bidder, or to fix any overhead, profit or cost element of said bid price, or of that of any other bidder, or to secure any advantage against the OWNER, or any person interested in the proposed contract; and that all statements contained in said proposal or bid are true; that such bidder has not, directly or indirectly submitted this bid, or the contents thereof, or divulged information or data relative thereto any association or to any member or agent thereof; and further says that all the statements made by him in said proposal or bid are true.

Affiant

Sworn to and subscribed before me this _____ day of
_____, 20 ____.

Notary Public in and for

_____ County,

My Commission Expires:

_____, 20 ____.

Bid Form 7

BIDDER'S AFFIDAVIT: FOREIGN CORPORATION*

The undersign certifies that _____ is a foreign corporation incorporated in the State of _____, whose principal place of business is _____ and is required to obtain authorization to transact business in the State of Ohio.

The undersigned bidder further certifies that said authorization has been obtained and is in effect and the bidder has a designated statutory agent upon whom process against bidder corporation may be served within the State of Ohio. The designated

statutory agent is

(name and address)

Process served upon the designated statutory agent named above shall be effective service, unless the Owner has been informed, by certified mail or its equivalent (return receipt), of a change in the agent upon whom process can be served.

Date

Signed

Title

Note: This statement is to be reproduced on the bidder's letterhead, signed by the authorized bid signatory, notarized and submitted with the bid.

***Any corporation that is not incorporated in the State of Ohio is a foreign corporation.**

LISTING OF SUBCONTRACTORS

The Bidder shall set forth the name, location of principal place of business, proposed amount of subcontract and type of work to be performed of each subcontractor who will perform work or labor or render service, as listed, to the bidder in or about the construction of the work or improvement to be performed under the Contract for which the attached Bid is submitted, and where the portion of the work which will be performed by each subcontractor. Note that subcontractors are distinguishable from suppliers.

Subcontractor - An individual or entity having a direct contract with CONTRACTOR or with any other Subcontractor for the performance of a part of the work at the site.

Supplier - A manufacturer, fabricator, supplier, distributor, material man, or vendor having a direct contract with CONTRACTOR or with any Subcontractor to furnish materials or equipment to be incorporated in the work by the CONTRACTOR or any Subcontractor.

The Bidder understands that if he fails to specify a subcontractor for any portion of the work to be performed under the Contract, he shall be deemed to have agreed to perform such portion itself.

PLEASE FILL OUT THIS FORM AND RETURN PROMPTLY TO THE ADDRESS BELOW
 BIDDER AND CONTRACTOR EMPLOYMENT PRACTICES REPORT

Minority Coordinator
 218 Cleveland Avenue SW
 Canton, Ohio 44702

I. I N S T R U C T I O N S

A. **EQUAL EMPLOYMENT OPPORTUNITY REQUIREMENT:** This form is designed to provide an evaluation of your policies and practices relating to the extension of equal employment opportunity to all persons without regard to race, religion, color, sex or national origin.

Ordinance No. 179-74 of the City of Canton and the rules and regulations pursuant thereto provide for a contract compliance inspection of personnel policies and practices related to any contract with the City including contracts for work, labor, services, supplies, equipment, materials, leases, concession agreements, and permits.

B. **CONTRACTOR AND BIDDER PERFORMANCE:** Completion of this Contractor and Bidder Employment Practices Report is one of the steps which demonstrates compliance with the City's Equal Employment Opportunity Program. Responsibility for demonstrating compliance with the Program by the contractor and his subcontractors rests with the contractor or subcontractor. Such demonstration is a prerequisite for continued eligibility for bidding on city contracts, or for continuing in contract with the City.

II. C O N T R A C T O R A N D B I D D E R I N F O R M A T I O N

1. REPORTING STATUS <input type="checkbox"/> a. Prime Contractor <input type="checkbox"/> b. Prime Subcontractor <input type="checkbox"/> c. Supplier <input type="checkbox"/> d. Other (Specify)
2. NAME, ADDRESS AND TELEPHONE NUMBER OF BIDDER COVERED BY THIS REPORT
3. NAME, ADDRESS AND TELEPHONE NUMBER OF PRINCIPAL OFFICIAL OR MANAGER OF BIDDER
4. NAME, ADDRESS AND TELEPHONE NUMBER OF PRINCIPAL OFFICE OF BIDDER
5. CONTRACTING CITY AGENCY (OR AGENCIES)
6. SIGNATURE AND TITLE OF AUTHORIZED EQUAL EMPLOYMENT OPPORTUNITY REPRESENTATIVE DATE

EVALUATION (level blank)

- Compliance
 Non-Compliance Follow-up _____

III. POLICIES AND PRACTICES

The bidder and the Contractor will indicate his willingness or unwillingness to comply with the requirements of the Equal Employment Opportunity Program of the City of Canton by encircling the appropriate or applicable letter to the left of each item below. The letters are to be interpreted as follows:

- A - This is now a practice of the Company.
- B - The Company will adopt this policy.
- C - The Company cannot or will not adopt this policy. (If "C" is circled, state reason. Use separate sheet if additional space is needed.)

It is understood that the Company's willingness to participate in the Equal Employment Opportunity Program will be evaluated by the Office of Directors of Contract Compliance. This evaluation will directly influence our decision on the qualifications of each bidder and contractor, and is an integral part of your bid.

CIRCLE ONE	ITEMS	STATE REASON IF (C) IS CIRCLED
A B C	1. The Company will adopt a policy of non-discrimination on the basis of race, religion, color, sex, or national origin with regard to recruitment, hiring, training, upgrading, promotion and discipline of employees or applicants for employment.	
A B C	2. The Company will develop procedures which will assure that this policy is understood and carried out by managerial, administrative, supervisory personnel.	
A B C	3. The Company will state its non-discriminatory policy in writing and communicate it to the following: a. All employees d. All relevant employee organizations including labor unions b. All recruitment sources c. All subcontractors	
A B C	4. The Company will use recruitment sources such as employment agencies, unions, and schools which have a policy of referring applicants on a non-discriminatory basis.	
A B C	5. The Company will participate in training programs for the benefit of employees or prospective employees, according to the intent of City Ordinance Number 179-74.	
A B C	6. Company recruiters will seek a broad recruitment base in order that a representative cross-section of applications might be obtained, and will refrain from a hiring policy which limits job applicants to persons recommended by company personnel.	
A B C	7. The Company will take steps to integrate any position, departments, or plant locations which have no minority persons including African Americans or are almost completely staffed with one particular ethnic or racial group.	
A B C	8. The Company will review its qualifications for each job to determine whether such standards eliminate unemployed persons who could, if hired, perform the duties of the job adequately. The following qualifications should be reviewed: a. education c. tests b. experience d. arrest records	
A B C	9. Residence in a particular geographical area will not be a qualifying or disqualifying criterion for employment with the Company.	
A B C	10. The Company will provide that all bargaining agreements with employee organizations, including labor unions, have non-discrimination clauses requiring equal employment opportunity.	

IV. EMPLOYMENT DATA

Please note that this data may be obtained by visual survey or post-employment records. Neither visual surveys nor post-employment records are prohibited by any Federal, State or local law. All specified data are required to be filled in by law.

JOB CATEGORIES	ALL EMPLOYEES			MINORITY GROUP EMPLOYEES								
	TOTAL MALE & FEMALE	MALE	FEMALE	MALE				FEMALE				
				African American	Asian American	Native American	Hispanic	African American	Asian American	Native American	Hispanic	
Officials, Mgrs and Supervisors												
Professionals												
Technicians												
Part-Time Seasonal												
Office and Clerical												
Craftsmen (Skilled)												
Operatives (Semi-skilled)												
Laborers (Unskilled)												
Service Workers												
TOTAL												
Total employment from previous report (if any)												

REMARKS Use this space to give any identification data appearing on last report which differs from that given above, explain major changes in employment, changes in composition of reporting units, and other pertinent information.

The undersigned certifies that he is legally authorized by the bidder to make the statements and representations contained in this report. That he has read all of the foregoing statements and representations and that they are true and correct to the best of his knowledge and belief. The undersigned, understands that if any of the statements and representations are made knowing them to be false or there is a failure to implement any of the stated intentions or objectives, set forth herein, without prior notice to the Office of Contract Compliance, the bidder will be subject to the loss of all future awards.

FIRM OR CORPORATE NAME _____ DATE OF SIGNING _____

SIGNATURE _____ TITLE _____

SIGNATURE _____ TITLE _____

V. ADDITIONAL INFORMATION (OPTIONAL)

Describe any other actions taken which show that all employees are recruited, hired, trained, and promoted without regard to their race, religion, color, sex, or national origin. Use separate sheet if additional space is required.

DESCRIPTION OF OCCUPATIONAL CATEGORIES

Officials, managers and supervisors - Occupations requiring administrative personnel who set broad policies, exercise over-all responsibility for execution of these policies, and direct individual departments or special phases of a firm's operations. Includes officials, executives, middle management, plant managers, department managers and superintendents, salaried foremen who are members of management, purchasing agents and buyers, and kindred workers.

Professionals - Occupations requiring either college graduation or experience of such kind and amount as to provide a comparable background. Includes accountants and auditors, airplane pilots and navigators, architects, artists, chemists, designers, dietitians, editors, engineers, lawyers, librarians, mathematicians, natural scientists, physicians, social scientists, teachers, and kindred workers.

Technicians - Occupations requiring a combination of basic scientific knowledge and manual skill which can be obtained through about 2 years of post high school education, such as is offered in many technical institutes and junior colleges, or through equivalent on-the-job training. Includes draftsmen, engineering aids, junior engineers, mathematical aids, nurses, photographers, radio operators, scientific assistants, surveyors, technical illustrators, technicians, (medical, dental, electronic physical sciences), and kindred workers.

Sales workers - Occupations engaging wholly or primarily in direct selling. Includes advertising agents and salesmen, insurance agents and brokers, stock and bond salesmen, demonstrators, salesmen and sales clerks and kindred workers.

Office and clerical - Includes all clerical type work regardless of level of difficulty, where the activities are predominantly nonmanual though some manual work not directly involved with altering or transporting the products is included. Includes bookkeepers, cashiers, collectors (bills and accounts), messengers and office boys, office machine operators, shipping and receiving clerks, stenographers, typists and secretaries, telegraph and telephone operators, and kindred workers.

Craftsmen (Skilled) - Manual workers of relatively high skill level having a thorough and comprehensive knowledge of the processes involved in their work. Exercise considerable independent judgement and usually receive an extensive period of training. Includes the building trades hourly paid foremen and leadmen who are not members of management, mechanics and repairmen, skilled machining occupations, compositors and typesetters, electricians, engravers, job setters (metal), motion picture projectionists, pattern and model makers, stationary engineers, tailors and tailoresses, and kindred workers.

Operatives - (Semi-Skilled) - Workers who operate machine or processing equipment or perform other factory-type duties of intermediate skill level which can be mastered in a few weeks and require only limited training.

Laborers (Unskilled) - Workers in manual occupations which generally require no special training. Perform elementary duties that may be learned in a few days and require no independent judgement. Includes garage laborers, car washers and greasers, gardeners (except farm) and groundskeepers, longshoremen and stevedores, lumbermen, raftsmen and wood choppers, laborers performing lifting, digging, mixing, loading, and pulling operations, and kindred workers.

Service workers - Workers in both protective and nonprotective service occupations. Includes attendants (hospital and other institution, professional and personal service), barbers, charwomen and cleaners, cooks (except household), counter and fountain workers, elevator operators, firemen and fire protection, guards, watchmen, and doorkeepers, stewards, janitors, policemen and detectives, porters, waiters and waitresses, and kindred workers.

Apprentices - Persons employed in a program including work training and related instruction to learn a trade or craft which is traditionally considered an apprenticeship, regardless of whether the program is registered with federal or State agency.

PERSONAL PROPERTY TAX CERTIFICATION (ORC 5719.042)

Office of the Auditor
City of Canton
City Hall 218 Cleveland Avenue S.W.
Canton, Ohio 44702

Dear Sir:

(A) The undersigned hereby certifies that the party to whom contract award is being considered was not charged with any delinquent personal property tax at the time of the bid opening the project nor is said party currently charged with such a delinquency on the general tax list of personal property for Stark County, Ohio.

or

(B) The undersigned hereby certifies that the party to whom contract award is being considered has been charged with a delinquency regarding personal property tax on the general tax list of personal property for Stark County, Ohio, either currently, or at the time of bid opening the project. The amount of the due and unpaid delinquent taxes, including any due and unpaid penalties and interest thereon is _____.

and

It is understood that, by law, this statement is to be signed by the party whose bid has been tentatively accepted, and must be affirmed under oath. the law also requires that his statement is to be submitted to the City Auditor and this statement must be incorporated into the pending contract before any payment can be made under the subject contract.

Name of Corporation

President

Secretary

NOTE: THIS FORM AND/OR CERTIFICATION MUST BE RETYPED ON THE BIDDER'S LETTERHEAD AND NOTARIZED UTILIZING EITHER PARAGRAPH (A) OR (B) AS IT APPLIES TO YOUR COMPANY.

SECTION 105.06 - MINORITY CONTRACT PROVISIONS; MINORITY
 ENTERPRISE UTILIZATION COMMITMENT;

A) The Bidder agrees to expend at least \$ _____ of the Contract in the event the contract is awarded to such bidder for minority/women's business enterprises. For purposes of this pledge, the term "minority/women's business enterprise" means a bona fide business established as a sole proprietorship, partnership or corporation owned, operated and controlled by one or more minority persons or women who have at least fifty-one percent (51%) ownership. "Minority" includes African Americans, Asian/Pacific Islanders, Hispanic/Latino Americans and Native American Indians. The minority or woman must have operational and managerial control, interest in capital, and earnings commensurate with the percentage of ownership. Minority/women's business enterprises may be employed as construction contractors, subcontractors, vendors or suppliers. The Bidder must indicate the minority business enterprise it intends to utilize in this document as follows:

<u>Name/Address of Minority Firm</u>	<u>Nature of Participation</u>	<u>Dollar Value of Participation</u>
_____	_____	_____
_____	_____	_____
_____	_____	_____
_____	_____	_____
_____	_____	_____
_____	_____	_____

Total Bid Amount: _____ Total _____

Percentage of Minority Enterprise Participation: _____ %

B) The Bidder agrees to furnish implementation reports to indicate the minority business enterprises which it has or intends to utilize. The first report is due five (5) days after notification to the lowest and best bidder. The second report is due at 40% completion.

C) It is the goal of the City that at least 10 percent (10%) of the total of all contracts be expended for a bona fide minority business enterprise.

D) If the 10 percent (10%) minority business utilization cannot be met, a waiver can be granted by the Board of Control upon recommendation by the Service Director. To justify a waiver, it must be shown that every feasible attempt has been made to comply, and it must be demonstrated that sufficient, relevant, qualified minority business enterprises (which can perform sub-contracts or furnish supplies) are unavailable in the market area of the project to enable meeting the 10 percent (10%) minority business enterprise goal.

E) Failure to comply with the Minority Business Enterprise Utilization Commitment will not be grounds for the forfeiture of a bid bond so long as a “best effort” approach can be demonstrated. If such compliance cannot be obtained, the bidder shall furnish written evidence to justify that he has made “best effort” to comply with the Minority Business Enterprise Assistance Program. A representative of the City of Canton will monitor and determine whether or not a good faith effort to comply with the Minority Business Enterprise Commitment has been made.

F) In light of the above, the Board of Control will still award the contract to the lowest and best bidder. Breach of the commitment constitutes breach of the Bidder’s contract, if awarded.

G) For information regarding the City’s Minority Business Enterprise Utilization Requirement, please contact the City of Canton’s Compliance Office.

H) The undersigned hereby certifies that he/she has read the terms of the commitment and is authorized to bind the Bidder to the commitment herein set forth.

Name/Title of Authorized Officer

Signature of Authorized Officer

Date

The additional bid requirements are as a result of legislation passed by City Council and are incorporated within the City Code and/or Codified Ordinances of the City of Canton. Detailed copies of these code requirements are available within the City Law Department, 7th Floor, City Hall.

EEO
POLICY STATEMENT

THE CITY OF CANTON, OHIO IN CONFORMANCE WITH LOCAL, STATE, AND FEDERAL REGULATIONS REQUIRE EACH EMPLOYER, CONTRACTOR, AND MATERIAL SUPPLIERS WORKING CITY PROJECTS TO BE SIGNATURES OF THE FOLLOWING STATEMENTS:

1. IT IS THE POLICY OF _____ THAT EQUAL EMPLOYMENT OPPORTUNITY BE AFORDED TO ALL QUALIFIED PERSONS WITHOUT REGARD TO RACE, RELIGION, SEX OR NATIONAL ORIGIN.
2. IN SUPPORT OF THIS DOCUMENT _____ WILL NOT DISCRIMINATE AGAINST ANY EMPLOYEE OR APPLICANT BECAUSE OF RACE, RELIGION, COLOR, SEX OR NATIONAL ORGIN.
3. THE _____ WILL TAKE AFFIRMATIVE ACTION TO INSURE THAT APPLICANTS ARE EMPLOYED AND THAT EMPLOYEES ARE TREATED DURING EMPLOYMENT WITHOUT REGARD TO THEIR RACE, RELIGION, COLOR SEX OR NATIONAL ORIGIN. SUCH ACTION WILL INCLUDE BUT NOT BE LIMITED TO:
RECRUITMENT, ADVERTISING OR SOLICITATION FOR EMPLOYMENT, HIRING, PLACEMENT, UPGRADING, TRANSFER OR DEMOTION, SELECTION FOR TRAINING INCLUDING APPRENTICESHIP RATES OF PAY OR OTHER FORMS OF COMPENSATION, LAYOFFS OR TERMINATION.
4. THE OF _____ WILL MAKE EVERY EFFORT TO COMPLY WITH MINORITY UTILIZATION GOALS AS FOLLOWS: (9%) NINE PERCENT MINORITIES IN WORKFORCE ON THIS JOB, (6.9%) SIX POINT NINE PERCENT FEMALE UTILIZATION ON THIS JOB, (10%) TEN PERCENT OF CONTRACT AMOUNT EXPENDED WITH MINORITY BUSINESS ENTERPRISES.
5. THE OF _____ SHALL REQUIRE EACH SUB-CONTRACTOR WE HIRE ON THIS PROJECT TO ADHERE TO, SIGN, AND RETURN THIS STATEMENT TO THE CITY.

(Date)

(Name of Company)

(Signature and Title of Company Officer)

PROJECT: **GP1205 Streetscape Electrical Construction**

LETTER OF ASSURANCE

The _____ company hereby certifies that they will comply with the required goals and timetables pertaining to minority and female participation in all trades. The _____ company agrees to comply with the required 10% minority participation goal.

All bidders, contractors and subcontractors to perform work on _____ are subject to the above stated requirements and agree to comply with all local, state and Federal EEO, MBE, and labor requirements applicable to this project and further agree to complete and/or submit all necessary documents to the City of Canton's Compliance Office prior to the awarding of any contract for this project.

The _____ company also agrees to expend at least 10% of the dollar amount of any contract awarded for this project to Minority Business Enterprises.

Failure to submit this letter of assurance will make the bidder's bid non-valid and failure to comply with the applicable local, state and Federal EEO, MBE and labor requirements are basis for termination of any contract awarded for this project.

_____	_____
Company or Partnership	Federal ID #
_____	_____
President or Other Official Title	Telephone #

Date	

(Seal)
Subscribed and sworn to before me, this _____ day of _____, 20 _____.

Notary Public in and for the County of _____, State of _____.

My commission expires on the _____ day of _____, 20 _____.

TO BE FILLED OUT WITH BID

**NOTICE OF FACTORS TO BE CONSIDERED IN DETERMINING
THE LOWEST AND BEST BID FOR THE CONSTRUCTION OF
PUBLIC IMPROVEMENTS AND QUESTIONNAIRE IN ACCORDANCE
WITH CANTON ORDINANCE 86/2009, CHAPTER 105.01**

NOTICE

All bidders shall hereby take notice of the factors to be considered by the Board of Control in determining whether a bid is not only the lowest bid, but the best bid. Said factors are contained in Canton Ordinance 86/2009, Chapter 105.01, a copy of which is included in these specifications.

QUESTIONNAIRE

When completing Bid Form #12, please submit your answers, separately, on your company letterhead and attach to Bid Form #12.

In accordance with Canton Ordinance 86/2009, Chapter 105.01, Section (c), each bidder must complete the following questionnaire. This questionnaire is to be completed in a truthful and responsible manner by the bidder. The City reserves the right to consider the bidder in default for any false or misleading information supplied per this questionnaire. If the bid is made by a corporation, then this questionnaire is to be completed by its properly authorized agent.

1. Please describe the work, supplies and materials covered by the bidder's bid.
2. Please state the identification of all work to be subcontracted. **All subcontractors are also subject to the approval of the Board of Control based on the criteria contained in this section.**
3. Please provide the descriptions of the bidder's experience with projects of comparative size, complexity and cost within recent years, demonstrating the bidder's ability and capacity to perform a substantial portion of the project with its own forces.
4. Please provide documentation from previous, similar projects regarding timeliness of performance, quality of work, extension requests, fines and penalties imposed and payments thereof, liens filed, explanations of the same.
5. Please state the number of years the bidder has been actively engaged as a contractor in the construction industry.

6. Please provide your recent experience record in the construction industry, including the original contract price for each construction job undertaken by the bidder, the amount of any change orders or cost overruns on each job, the reasons for the change orders or cost overruns, and the bidder's record for complying with and meeting completion deadlines on construction projects.
7. Please identify any project(s) within the previous five years that the bidder was determined by a public entity not to be a responsible bidder, the reasons given by the public entity, together with an explanation thereof.
8. Please identify your financial responsibility to assure that the bidder processes adequate resources and availability of credit, the means and ability to procure insurance and acceptable performance bonds required for the project and whether any claims have been made against performance bonds secured by the bidder on other construction projects.
9. Please describe any suspension or revocations of any professional license of any director, officer, owner, or managerial employees of the bidder, to the extent that any work to be performed is within the field of such licensed professional.
10. Please describe any and all OSHA violations within the previous three years, as well as all notices of OSHA citations filed against the bidder in the same three year period, together with an explanation of remediation or other steps taken regarding such violations and notices of violation.
11. Please describe any and all violations within the previous five years pertaining to unlawful intimidation or discrimination against any employee by reason race, creed, color, disability, gender or national origin and/or violations of an employee's civil or labor rights or equal employment opportunities.
12. Please describe any litigation (including copies of pleadings) in which the bidder has been named as a defendant or third party defendant in an action involving a claim for personal injury or wrongful death arising from performance of work related to any project in which it has been engaged within the previous five years.
13. Please describe any allegations of violations of the prevailing wage law and any other state or federal labor law, including, but not limited to, child labor violations, failure to pay wages, or unemployment insurance tax delinquencies or unfair practices within the past five years.
14. Please describe any violations of the worker compensation law.

15. Please describe any criminal convictions or criminal indictments, involving the bidder, its officers, directors, owners, and/or managers within the past five years.
16. Please describe any violation within the past five years or pending charges concerning federal, state, or municipal environmental and/or health laws, codes, rules and/or regulations.
17. Please provide documentation that the bidder provides health insurance and pension benefits to its employees.
18. Please state the experience and the continuity of the bidder's work force.
19. Please submit the identity of the bidder's permanent work force that will be employed on the public contract, to include the number of employees (or contract labor) to be assigned to the contract, their city and state of residence, and their job descriptions or trade specialties.
20. Please provide the identity of any temporary work force that will be employed on the public contract, to include the number of employees (or contract labor) to be assigned to the contract, their city and state of residence, and their job descriptions or trade specialties.
21. Please state whether the bidder's work force is drawn mainly from local employees. The number of local employees, as defined in paragraph (a)(3) of Ordinance 86/2009, and their job descriptions or trade specialties that the bidder will employ on the public contract.
22. If the bidder claims that non-local employees (or non-local contract labor) are to be assigned to the public contract instead of local employees, please state in detail the reasons therefore.
23. If the bidder claims that local employees are not intended to be used by the bidder on the public contract because they are not available, qualified or trainable within a reasonable period of time, please state in detail the reasons therefore.
24. State whether the bidder participates in a bona fide apprenticeship program that is approved by the Ohio State Apprenticeship Council and the United States Department of Labor.
25. State whether the bidder has adopted and implemented a comprehensive drug and alcohol testing program for its employees.
26. State whether the bidder's employees are OSHA-10 and/or OSHA-30 certified.

PERFORMANCE BOND AFFIDAVIT

Unless Bidder submits, with its bid, a Bid and Contract Bond per ORC. 153.571, Canton may request that the Bidder obtain, from its insurance representative, a performance bond affidavit that contains the representations noted below. The affidavit shall be made on the insurance agency's letterhead, reference this project by name and state at least the following:

- (1) The representative certifies that, should the contract be awarded to the contractor on whose behalf the certificate is being provided, the performance bond specified will be provided.
- (2) The name and A.M. Best Company ratings of companies which are expected to provide the required performance bond.

THE PERFORMANCE BOND AFFIDAVIT SHALL BE NOTARIZED.

AFFIDAVIT

Now comes _____, the duly
authorized representative of _____,
(name of company)

A bidder in City Project
(name of project)

And hereby desposes and states under oath that the
(name of bidder's

_____ shall employ all local labor for all work to be performed on
company)

City Project in the event said bidder is awarded the contract for said Project.

Authorized Signature of Company

Sworn to and subscribed before me this _____ day of _____,
20____.

Name of Notary Public

My Commission Expires:

CERTIFICATION

I, _____
(Name of person signing affidavit) (Title)

do hereby certify that _____ does not have an
(Company or Individual Name)

outstanding unresolved finding for recovery issued by the Auditor of the
State of Ohio as defined by Ohio Revised Code (ORC) Section 9.24 as of

(Current date)

Signature of Officer or Agent

Name (Print)

Sworn to and subscribed in my presence this _____ day of
_____, 20 _____

(Notary Public)

WEEKLY PAYROLLS

Each week as work progresses the Contractor must submit to the Owner a copy of all weekly payrolls and required attachments stipulated therein.

All weekly payrolls shall contain or have attached the following:

- A) Name of each employee. Also show address when employee is first entered on payrolls and whenever his address changes thereafter.
- B) Classification of employees (same as shown on wage determination or provisional approval).
- C) Rate of pay not less than that shown on the wage determination.
- D) Hours worked each day and total for each week for each employee.
- E) All deductions made.
- F) Net amount paid employee.
- G) The following certification:

"I certify that the payroll is correct and complete, that the wage rates contained therein are not less than the applicable rates contained in the Wage Determination decision of the Department of Industrial Relations, Prevailing Wage Rate Division, State of Ohio, and that the classifications set forth for each laborer or mechanic conform with the work he performs".

(SIGNATURE)

(TITLE)

APPENDIX

C

Project Utility Note

It is the sole responsibility of the contractor to coordinate and insure the relocation of modifications to all utilities. The City is not responsible for any cost associated with the non-timely relocation or delays caused by utility work or the cost of the relocation work itself. The contractor must OUPS the location as according to OUPS procedures.

GP 1205 Streetscape Electrical Construction Project Utility Note:

Excusable, Non-Compensable Delays shall be in accordance with ODOT Specification 108.06 B, and shall include any delays due to utility interference within the project limits. The City will not pay compensation for utility delays.

It is the Contractor's responsibility to OUPS all locations where the excavation is required. The Contractor is responsible to coordinate any activities with any utility that may be impacted due to construction.

The following utility companies or entities may have facilities in the project area:

Dominion East Ohio (DEO)

American Electric Power (AEP)

AT&T

Time Warner Cable

City of Canton Water

City of Canton Engineering Department (Sanitary & Storm)

APPENDIX

D

CHANGE ORDER POLICY

Canton Engineering Change Order Policy

The need for a Change Order for work or materials not included in the scope of the contract or exceeding plan quantities may occur at any time during the contract. The LPA Construction Manager or the LPA Contractor may initiate the Change Order process. The LPA Project Inspector will document the date that the change is first encountered. The LPA Construction Manger will determine if a change in the contract is needed. (Note: LPA Project Inspector may be a Consultant Construction Contract Administrator or the Canton Project Inspector assigned to the project.) The project record shall include record of all changes.

Change Orders will be categorized into the following Tiers:

Tier 1:

A quantity adjustment for projects less than \$500,000.00 cannot exceed \$25,000.00 to qualify as a Tier 1 Change Order. A quantity adjustment for projects greater than \$500,000.00 cannot exceed the lesser of 5% or \$100,000.00 to qualify as a Tier 1 Change Order. The change of the quantities will be adjusted on a Change Order that will address these changes after an accumulation of adjustments for the project is received. Requests for adjustment may occur at any time before the final payment is made.

Tier 2:

Changes that cannot be addressed using contract unit prices, exceed the Tier 1 limits, extend the contract limits, or change the environmental impact will be presented formally on a Change Order. Contractor shall submit an estimated cost and scope of the work to be performed to the LPA Project Manager. The LPA Project Manager will assemble the documentation, including purpose and analysis of the cost of the proposed change for submission to the LPA Construction Manager. LPA Construction Manager shall review the submitted documentation for availability of funds, acceptability of costs and need for the said changes. Further, the LPA Construction Manager will secure concurrence from ODOT Construction Monitor and make recommendation to the Canton City Engineer for acceptance.

The Change Order will then be recommended to the Board of Control for approval. If the sum of all Change Orders exceeds the lesser of \$100,000.00 or 10% of the total of the original contract cost, the Change Order will be presented to the Canton City Council for approval before being submitted to the Board of Control.

Execution of the work will not be performed until authorization is given to the contractor from the LPA. In the event that an agreed price cannot be negotiated, LPA will adhere to force account procedures.

Authorization of Change Order Work:

Tier 1:

The Canton City Engineering will authorize the work prior to submission of the Change Order. Contractor cannot proceed until such authorization.

Tier 2:

The contractor must receive written authorization, from the Canton City Engineer, before the execution of any of the Change Order work. This authorization will not be given until the Change Order has been approved by the Board of Control, Canton City Council, and ODOT, as needed. The Canton City Engineer may override Tier 2 Authorization procedure for any circumstances to assure safety, environment, or protection of property.

NOTE: Canton City Council must approve all Change Orders prior to authorization for both Tier 1 and Tier 2 should the individual or aggregate cost of all Change Orders exceed the lesser of 100,000.00 or 10% of the project original cost.

APPENDIX

E

CLAIMS MANAGEMENT POLICY

City of Canton Engineering Department's Claims Management Policy

The City of Canton recognizes the need to contend with claims experienced by the contractor that are not addressed by the contract. This policy acts as directive to provide stability and expertise in the management of its claims and to ensure they are investigated, evaluated, and resolved in a timely and professional manner.

Claims

A dispute is not identified as a claim until a *Notice of Intent to File a Claim*. The *Notice of Intent to File a Claim* cannot be made until Steps 1 and 2 are completed. A claim is defined as formal assertion by the contractor for something due or believed to be due to the contractor. This claim may include monetary compensation and/or time extension for the completion of the contract. All claims must be presented by the Prime Contractor. Claims submitted by a sub-contractor or supplier against the City or Prime Contractor shall not be accepted.

Purpose

This policy attempts to resolve disputes in a fair and cost-effective manner. The documentation resulting from this procedure will provide information needed to make a reasonable and unbiased decision. City of Canton Engineering acknowledges that costs can be kept to a minimum when the resolution is found at the departmental level.

Process

The Contractor must follow this policy to be eligible for any compensation (time or monetary) for any and all claims not covered by the Change Order Policy. All steps in the policy must be completed prior to moving to the next step. The Contractor shall continue with all Work, including that which is in dispute. The City will continue to pay for work being performed.

Prior to entering into the formal claim resolution process, both the contractor superintendent and the City's Inspector and Construction Manager agree to attempt to resolve any disputes in a good faith effort that is fair and equitable to both the contractor and the City within the guidelines and requirements established by the contract. If this good faith effort does not resolve the problem, the contractor may proceed into the Claims Management Procedure.

Step 1 City Project Manager

The City Project Manager shall meet with the Contractor's superintendent and City Construction Inspector within two (2) working days of receipt of the Contractor Written Early Notice set forth in 104.02.G of the ODOT Construction and Material Specifications. The City Project Manager will negotiate in an effort to reach a resolution according to the Contract Documents. The City Project Manager will issue a written decision of Step 1 within fourteen (14) calendar days of the meeting. If the dispute is not resolved, the Contractor must either abandon or escalate the dispute to Step 2. The claim along with all pertinent information and contract provisions shall be presented to the City Project Manager by the contractor and City representatives.

Step 2 City Engineer

Within seven (7) calendar days of receipt of the Step 1 decision, the Contractor must submit a written request for a Step 2 meeting to the City Engineer. The City Engineer will assign the dispute a dispute number. Within fourteen (14) calendar days of receipt of the request for a Step 2 meeting, the Contractor shall submit the Dispute Documentation as follows:

1. The Contractor shall submit three (3) complete copies of the documentation of the dispute to the City Engineer.
2. The Dispute Documentation shall be identified on a cover page by GP# (project number), Contractor name, subcontractor or supplier if involved in the dispute, and dispute number.
3. The Dispute Documentation shall be an original document that clearly and in detail gives the required information for each item of additional compensation and time extension requested.
4. A narrative of the disputed work or project circumstance at issue. This section must include the dates of the disputed work and the date of early notice.
5. References to the applicable provisions of the plans, specifications, proposal, or other contract documents. Copies of the cited provisions shall be included in the Dispute Documentation.
6. The dollar amount of additional compensation and length of contract time extension being requested.
7. The cost and supporting documents that served as the basis for the requested compensation stated in number six (6) above.
8. A detailed schedule analysis must be included in the Dispute Documentation for any dispute concerning additional contract time, actual or constructive acceleration, or delay damages. At a minimum, the schedule analysis must include the Schedule Update immediately preceding the occurrence of the circumstance alleged to have caused delay and must comply with accepted industry practices. Failure to submit the required schedule analysis will result in the denial of that portion of the Contractor's request.
9. Copies of relevant correspondence and other pertinent documents.

The City Engineer shall review and recommend a resolution to the claim. If recommended by the City Engineer, the process will cease and the claim will be processed as a Change Order. Otherwise, the City Engineer will meet with the contractor's representative, the City Project and Construction Managers within fourteen (14) days to hear each party's stance and as a last

chance opportunity to resolve the claim before escalating to Step 3. The City Engineer will issue a written determination of Step 2 to the contractor and project file within fourteen (14) days. If the dispute is not resolved, the Contractor must either abandon or escalate the dispute to Step 3.

Step 3 Canton Service Director

Within fourteen (14) calendar days of receipt of the Step 2 decision, the Contractor must submit a written *Notice of Intent to File a Claim* to the Canton City Service Director. This notice shall state the Contractor's request for a Canton Service Director hearing on the claim. The dispute becomes a claim when the Service Director receives the *Notice of Intent to File a Claim*. The City of Canton Law and Purchasing Departments will provide advice to the Canton Service Director. The Canton Service Director will be responsible for deciding claims.

The Contractor shall submit six (6) complete copies of its Claim Documentation to the City Engineer within thirty (30) calendar days of receipt of the *Notice of Intent to File a Claim*. This time frame may be extended upon mutual agreement of the parties and with approval of the Committee. In addition to the documentation submitted at Step 2, the narrative shall be enhanced to include sufficient description and information to enable understanding by a third party who has no knowledge of the dispute or familiarity with the project. This documentation must also include a discussion of the efforts taken to resolve the dispute. When submitting the Claim Documentation, the Contractor must certify the claim in writing. Such certification shall attest to the following:

1. The claim is made in good faith.
2. To the best of the Contractor's knowledge, all data offered to support the claim is accurate and complete.
3. The claim amount accurately reflects the Contractor's actual incurred costs and additional time impacts.

This claim certification shall also be notarized pursuant to the laws of the State of Ohio. The following is an example of the correct form for a claim certification:

(The Contractor) certifies that this claim is made in good faith, that all supporting data is accurate and complete to the best of (the Contractor's) knowledge and belief, and that the claim amount accurately reflects the contract amendment for which (the Contractor) believes the City of Canton is liable.

By: _____

(The Contractor, Name and Title)

Date of Execution: _____

Within thirty (30) calendar days of receipt of the Contractor's Claim Documentation, the City Engineer shall submit six (6) complete copies of its Claim Documentation to the Canton

Service Director. In the event that the Contractor is granted a time extension for the submission of its Claim Documentation, the City Engineer will be granted an equal time extension for submission of its Claim Documentation. At a minimum, the City Engineer's Claim Documentation must include:

1. A narrative of the disputed work or project circumstance at issue with sufficient description and information to enable understanding by a third party who has no knowledge of the dispute or familiarity with the project. This section must include the dates of the disputed work and the date of early notice. The narrative must also discuss the prior efforts taken to resolve the dispute.
2. References to the applicable provisions of the plans, specifications, proposal, or other contract documents. Copies of the cited provisions shall be included in the claim document.
3. Response to each argument set forth by the Contractor.
4. Any counter-claims, accompanied by supporting documentation, the Canton Service Director Claims Committee wishes to assert.
5. Copies of relevant correspondence and other pertinent documents.

Within fourteen (14) calendar days of receipt of the Construction Manager's Claim Documentation, the City Engineer will forward one (1) complete copy to the Contractor and will schedule a hearing on the dispute. Once a hearing date has been established, both the Contractor and Construction Manager shall provide the Canton City Engineer with the list of names and telephone numbers of each person who may present information at the hearing. Reasonable time, generally not to exceed 60 days, will be provided for submission and review of additional documentation by either party prior to the hearing date. However, unless otherwise permitted by the Committee, the exchange of documentation and all disclosures specified in this step of the process shall be completed at least fourteen (14) calendar days prior to the hearing. Upon request or at the Committee's discretion, the Committee may delay the hearing one (1) time to allow more time for review and requests for more documentation. In the event of multiple claims, the Committee may order that they be considered in a single hearing. The Committee may hold this hearing after the completion of the project or until such time that it is assured that all disputes on the project have been processed through Steps 1 and 2. The Contractor and Construction Manager will each be allowed adequate time to present their respective positions before the Committee. The Contractor and Construction Manager will also each be allowed adequate time for one (1) rebuttal limited to the scope of the opposing party's presentation. The Contractor's position will be presented by a Contractor's representative who is thoroughly knowledgeable of the claim. Similarly, the Construction Manager's position will be presented by the Construction Manager or a representative who is thoroughly knowledgeable of the claim. Each party may have others assist in the presentation. The Committee may, on its own initiative, request information of the Contractor in addition to that submitted for the hearing. If the Contractor fails to reasonably comply with such request, the Committee may render its decision without such information. Upon completion of the hearing and consideration of any additional information submitted upon request, the Committee will submit a written recommendation on the disposition of the claim to the Canton

Service Director. The Canton Service Director will ratify, modify, or reject the recommendation of the Committee and render its decision within sixty (60) calendar days of the hearing. Within thirty (30) calendar days of receipt of the Committee's decision, the Contractor must either accept or reject the decision in writing. In the event the Contractor fails to do so, the Committee may revoke any offers of settlement contained in the decision. The decision of the Committee is the final step of Canton Engineering Department Dispute Resolution Process and may not be appealed within the Department. The Committee is not bound by any offers of settlement or findings of entitlement made during Steps 1 and 2 of the Dispute Resolution Process.

APPENDIX

F

Project Labor Agreement

(Not Applicable)

APPENDIX

G

Cost Proposal

PROPOSAL

Canton, Ohio, _____ 20 ____

To the Service Director of the City of Canton:

The undersigned, having carefully examined the site of the proposed work, the plans, profiles and standard drawings and specifications therefor, herewith propose to furnish all the labor and materials required for GP1205 Streetscape Electrical Construction. This includes all work and materials that may be necessary to connect the work with the adjoining work, in a proper and workmanlike manner. All work shall be in accordance with drawings on file in the office of the City Civil Engineer, and upon the terms and conditions of the within specifications and under the direction of and to the satisfaction of the City Engineer and the Service Director of said City.

The quantities in the column headed "Estimated Quantities" are those given in the Engineer's Approximate Estimate. These will be used in determining the total amount of each proposal for this improvement and for determining the lowest bidder. It is understood and agreed that these quantities are approximate only, and that the Contractor to whom the contract is awarded shall not be entitled to any claim for loss of profits, or for other damages, should the quantity of work done prove to be greater or less than is herein given in said estimated quantity columns. The Estimated Quantities are based on the top twenty (20) prioritized streets on the paving list (See Appendix J for paving list). The awarded bid prices and the allocated funding will determine the final number of streets paved. If an increase in funding occurs, the project will expand accordingly.

The bidder herein agrees that the Service Director has the right to reject any or all bids and that the bidder shall not dispute the correctness of the quantities used in computing the lowest and best bid.

The bidder hereby certifies that the undersigned _____ is the only person interested in the bid and the bidder herewith certifies that no officer or employee of the City of Canton is in any manner interested therein. The bidder agrees, if the bid is accepted, to enter into the prescribed contract within ten (10) days the date of service of notice of such acceptance, for the faithful performance of the labor and furnishing of the materials in such bid or bids so accepted, and to fully complete the said work within 30 days from Notice to Proceed.

The bidder herewith encloses a bond or certified check _____
in the sum of _____ dollars made payable to the
Service Director of the City of Canton as guaranty that if awarded the contract for the work
included in this proposal. _____
will enter into contract therefor, with sureties satisfactory to the Service Director, within the
prescribed time of ten (10) days from the date of service of notice of award, otherwise such bond
or check shall become the property of said City, as liquidated damages of the failure on the
Bidder's part to so contract within specified time.

ADDRESS

RESPECTFULLY SUBMITTED

Bidder

GP 1205 Streetscape Electrical Construction

Ref No.	ITEM Number	Item Description	Est. Qty.	Unit	Total Unit Price	Total Item Price
1		Union Metal 18' Twin Canton Decorative Streetlight Pole with LED's furnished and installed by City. Contractor to provide & install Busmann Type II Fused connector kits (HEB-AW-RYC) 3 per pole, Busmann Type III Solid link connector kit (HET-AW-RYC) 1 per pole, per City specs. See Electrical Drawing.	7	EA		
2	625	Install Non Metered CP3B01115EAOSP2 Milbank Controller, Steel Construction, Aluminum Finished Unpainted, and Foundation with 3/4" x 10' Ground Rod including installation & (2) Wilson Bohannon Padlock Model # 11110 ODOT Keyed.	1	EA		
3	625	Power feed from AEP (120/240 or 120/208, 100amp) including underground service wire to AEP undergorund/overhead network, AEP service drop charges & permit fees.	1	EA		
4	633	24" x 40" Cabinet Foundation.	1	EA		
5	632	Conduit Riser, 2" Diameter, as per drawing.	1	FT		
6	625	6' x 30" concrete foundation including 1" x 10' Ground Rod per City specs.	7	EA		
7	625	9' x 36" concrete foundation including 1" x 10' Ground Rod per City specs.	1	EA		
8	625	4' x 24" concrete foundation including 1" x 10' Ground Rod per City specs.	0	EA		
9	625	2" PVC Schedule 40 Conduit Lighting and Traffic Signal interconnect.	2,177	FT		
10	625	3" PVC Schedule 40 Conduit Traffic Signal.	32	FT		

Ref No.	ITEM Number	Item Description	Est. Qty.	Unit	Total Unit Price	Total Item Price
11	625	4" PVC Schedule 40 Conduit Traffic Signal.	21	FT		
12	625	17" x 30" composite pull box tier 15, labeled Electric.	4	EA		
13	625	24" x 36" composite pull box tier 15, labeled Traffic.	1	EA		
14	625	AWG # 6 XHHW Stranded copper, no underground splices.	3,661	FT		
15	625	Trench 18" Deep- additional trenching will be in area where conduit not placed in trench for curb.	186	FT		
16	625	Trench in paved area, pavement crossing TYPE B.	53	FT		
17	625	Photo Cell added to Light Pole nearest to Milbank Controller including AWG #14, 3-conductor cable to Milbank pedestal.	1	EA		
18	625	Remove AEP steel pole, foundation and return steel pole to AEP yard	1	EA		
TOTALS						

GP 1205
Streetscape Electrical Construction

TOTAL BID \$ _____

For informational purposes only, total unit prices will govern